

### Features

- Up to 4000 psi service
- Special barstock body material options including Alloy 20, Duplex, Hastelloy C, Monel, Titanium, 254 SMO, Bronze and others
- Special end connection options, including extended weld ends, RTJ flanges, DIN flanges, SAE Code 61 / 62 flanges, SAE O-ring, Grayloc, Tube End, and others
- ISO 5211 Mounting pad
- Triple sealed blow-out proof stem
- Adjustable, live-loaded stem packing
- Deep pocketed resilient seats
- Double body - end cap seals
- Enclosed end cap bolts threaded into body
- Statically grounded
- Lockout option
- API 607 Firesafe with proper materials (CS or SS body, PTFE, RPTFE, or CRPTFE seats with graphite packing and seals)
- 100% pressure tested (API 598 optional)

### 3000F-xxx Series Full Port Valve

Quick Spec	
Product Scope	
Size Range	1/4" – 3", Full Port
Body Type	3-pc, non Swing-out design
End Connections	Flanged, NPT, Weld, Custom
Pressure Rating	up to 4000 psi WOG (275 bar) & up to ASME Class 900 <sup>2</sup>
Temperature Range / WSP	-20°F up to 550°F / up to 450 psi steam -29°C up to 288°C / up to 31 bar steam
Body, Ball, Stem Material	Standard & Special alloys,
Ball Seats/ Thrust Washers	PTFE & others <sup>1</sup>
Stem Packing	Adjustable, Live Loaded PTFE or Graphite
Body Seals	PTFE, Graphite, & others <sup>1</sup>
Operator / Mounting Pad	Manual Lever, with Optional Lock / ISO 5211
Design Standards	
Design	ASME B16.34 <sup>2</sup>
Flange	ASME B16.5
Thread/Weld Design	ASME B1.20.1 / ASME B16.11
Testing Standards	
Pressure Testing	100%
Approvals	
ISO 9001:2008 Certified Manufacturer	
API 607 4th Edition	
Canadian Registration Numbers (CRN) and Coverage available on website <sup>3</sup>	
PED Category 1	

Materials of Construction		
Part	Stainless Steel	Carbon Steel
Body	A351 CF8M	A216 WCB
End Cap	A351 CF8M	A216 WCB
Ball	AISI 316 SS	
Seat	PTFE & others <sup>1</sup>	
Stem	A479 S31600	
Seal, Body	PTFE, Graphite, & others <sup>1</sup>	
Secondary Seal, Body	PTFE, Graphite, & others <sup>1</sup>	
Thrust Washer	PTFE & others <sup>1</sup>	
Packing	PTFE, Graphite	
O-Ring, Stem	Viton, EPDM	
Lock Washer	AISI 304 SS	
Anti-Static Spring	AISI 316 SS	
Gland Bushing	AISI 316 SS	
Anti-Static Pin	AISI 316 SS	
Body Bolt or Stud, Body Nut	A193 B8 Cl. 1 A194 Gr.8	A193 B7, A194 Gr.2H
Bellville Washer	17-7PH SS	
Handle	Carbon Steel	
Cover, Handle	Vinyl	

<sup>1</sup> See page 9

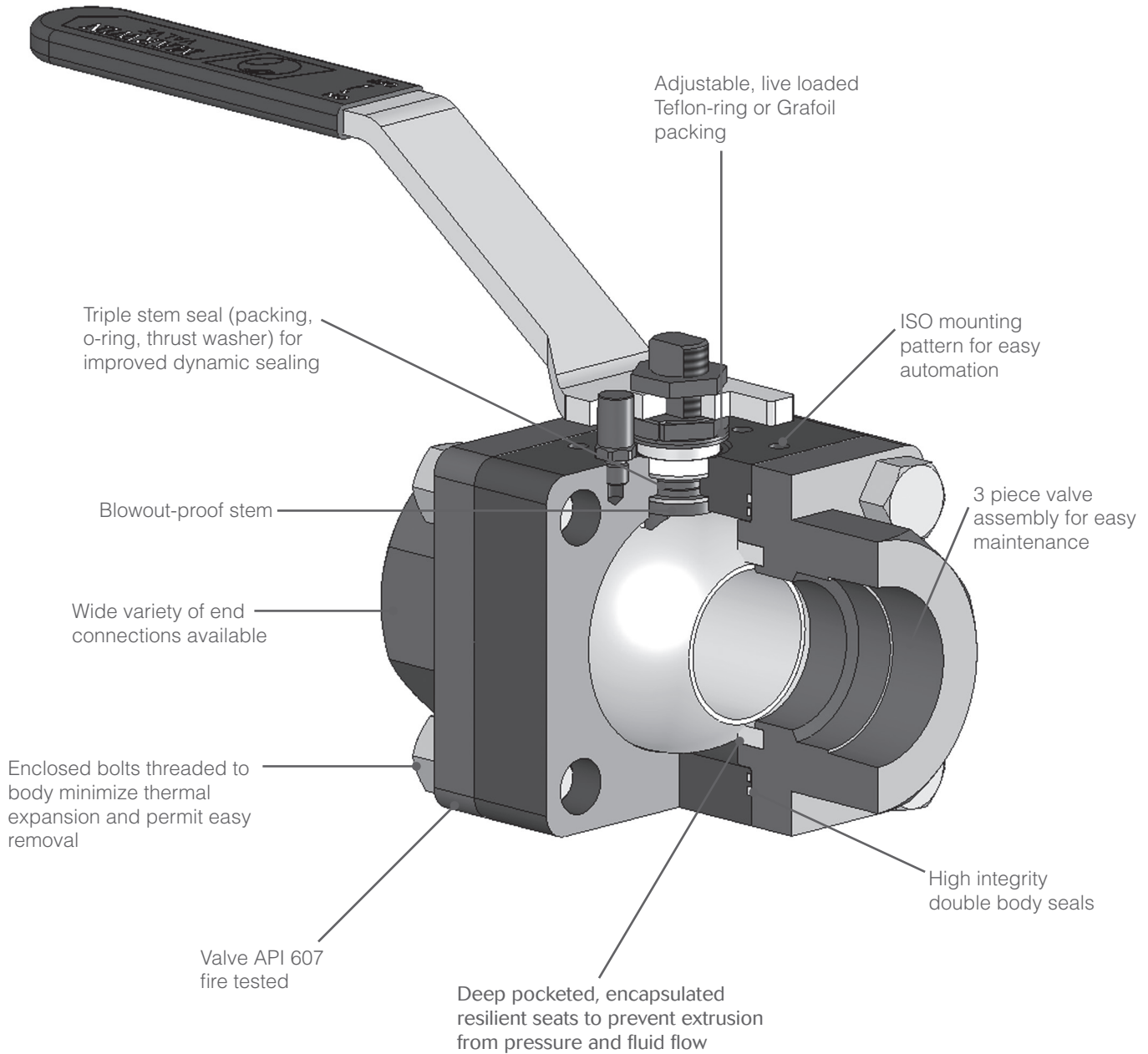
<sup>2</sup> ASME B16.34 Class Ratings

1/4" - 1-1/4"F — Class 900 (2220 psi CS/2160 psi SS @ 100°F)

1-1/2" - 2"F — Class 600 (1480 psi CS/1440 psi SS @ 100°F)

2-1/2" - 3"F — Class 400 (990 psi CS/960 psi SS @ 100°F)

<sup>3</sup> Use ASME B16.34 ratings for CRN

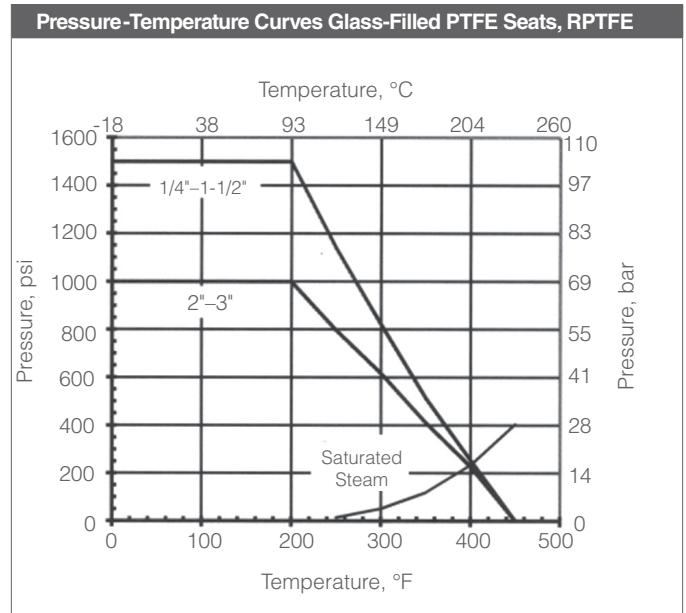
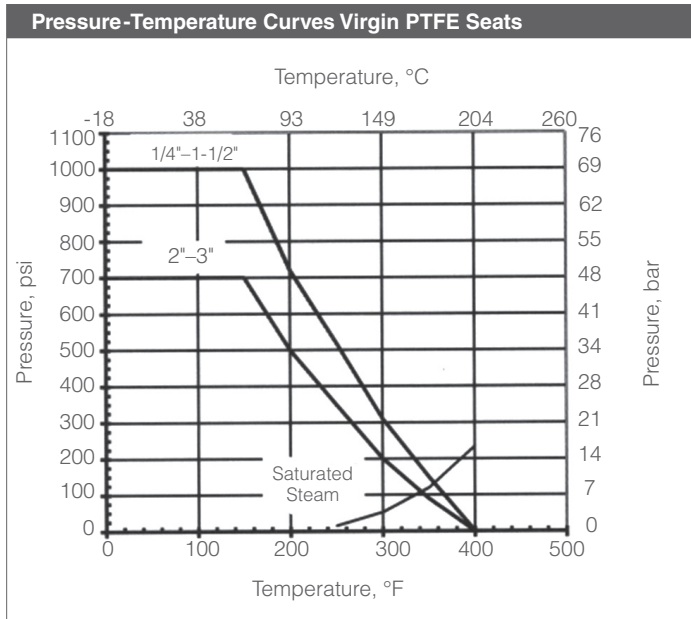
**Key Features**

**Cross Sectional Seat View Showing The Seat Pocket**

**Standard Soft Seats**

Standard ball valve "soft" seat material rely upon compression and movement of the seat material to conform to the ball surface for a tight seat. Deep machined pockets protect the seat and minimizes the chance of media and pressure lifting the seat causing damage. Materials include PTFE, RPTFE, C-RPTFE, UHMWPE, KEL-F, and others upon request

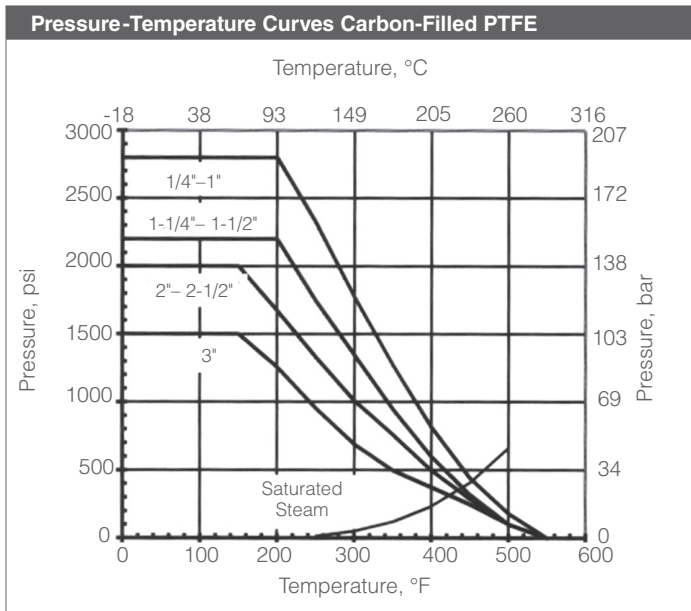
Note: A material's tendency to compress or move under load may limit their use at higher pressures and temperatures. Consult the appropriate P/T Chart for proper application information.

**Pressure / Temperature Limits**

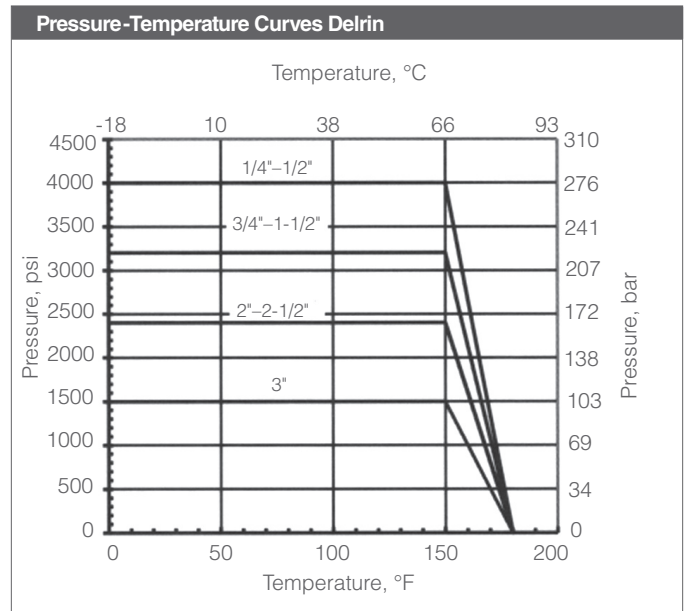


PTFE: PolyTetraFluoroEthylene – Virgin Teflon is a dense Fluorocarbon based polymer that has excellent chemical resistance, good thermal stability, and low coefficient of friction. (White, -50°F to +450°F)

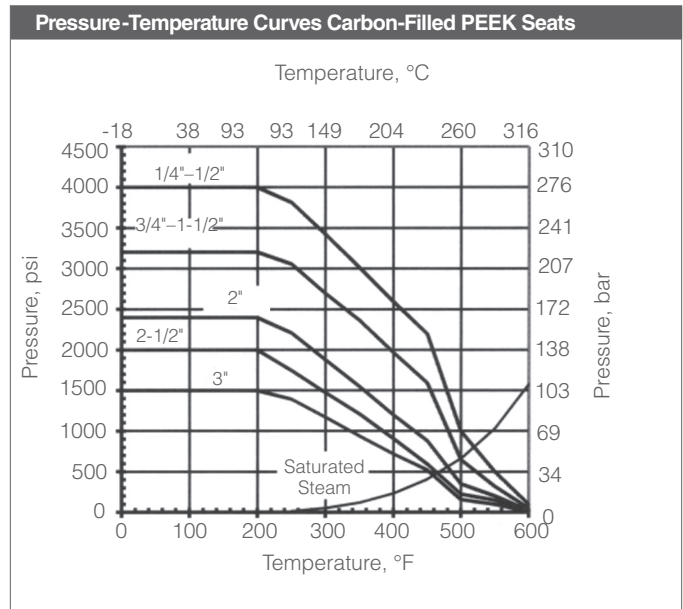
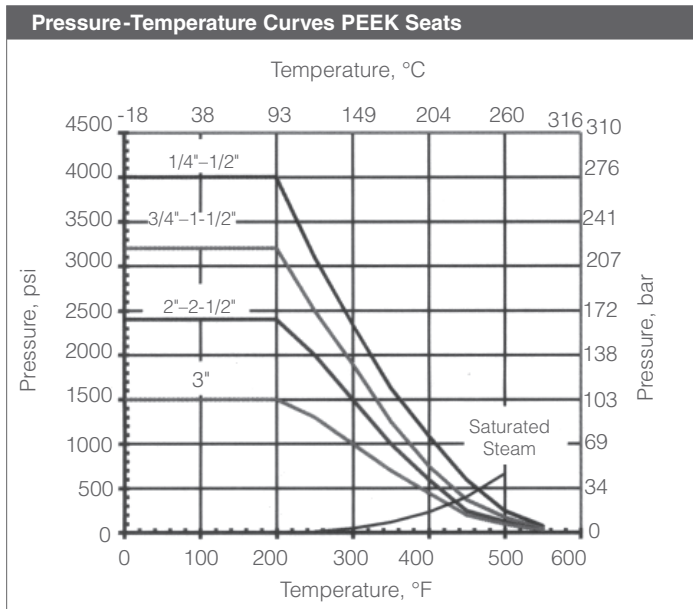
RPTFE: 25% Glass Filled Teflon – Glass reinforced PTFE offers high chemical resistance with improved mechanical strength, stability and wear resistance compared to virgin PTFE. (Off-white, -50°F to +450°F)



CRPTFE: 25% Carbon Filled Teflon – Carbon reinforced PTFE has improved mechanical strength, stability and wear resistance compared to glass reinforced PTFE. (Black, -50°F to +475°F)

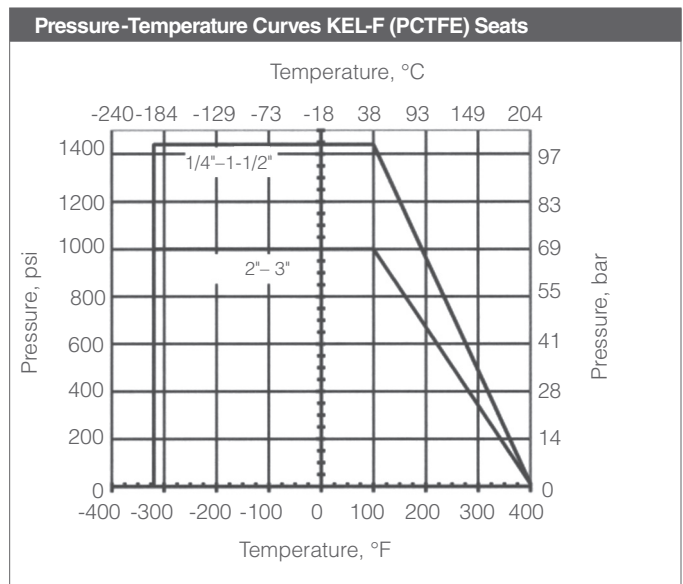
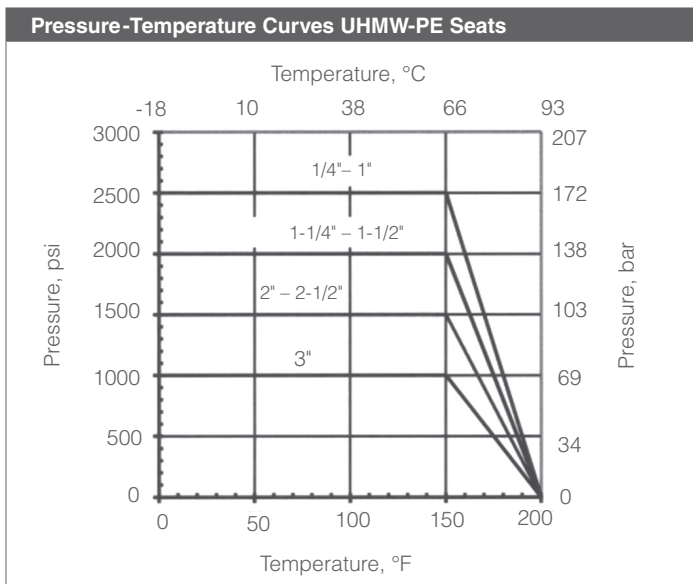


Delrin: Acetal Homopolymer – Delrin is a thermoplastic with high chemical strength and stiffness, good dimensional stability, low friction, and good wear and abrasion resistance. It is used for higher pressure at moderate temperatures over a limited range of chemical applications. (Creamy white, -20°F to +180°F)



PEEK: PolyEtherEtherKeytone – PEEK is a high performance thermo-plastic with excellent mechanical properties and chemical resistance. It is available FDA/USDA approved. It is used where higher pressures and temperatures are required. (Tan, -70°F to +550°F)

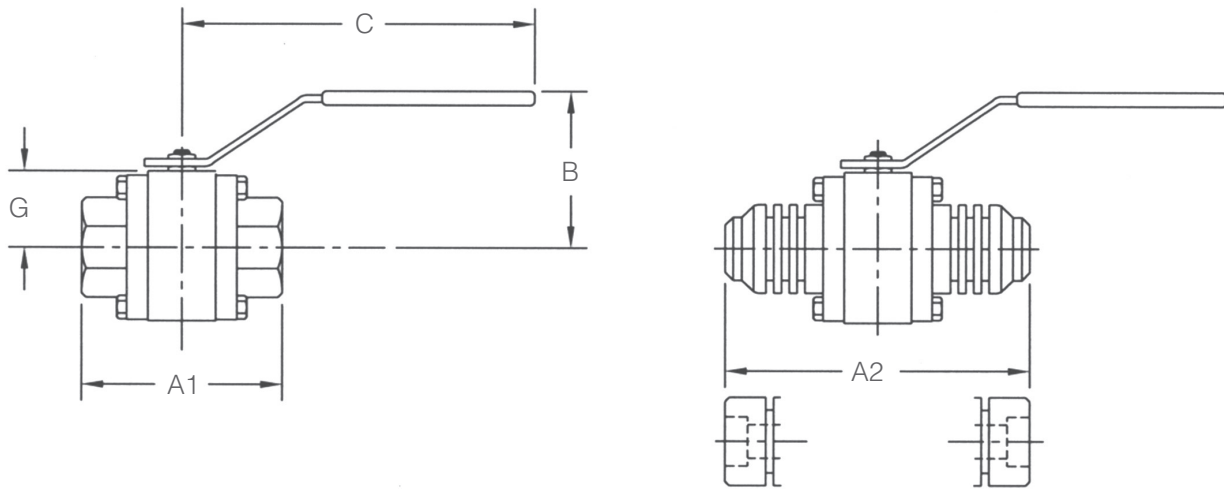
C-PEEK: 25% Carbon Filled PEEK – Carbon reinforced PEEK provides the maximum compressive strength, stiffness, and wear resistance available. It extends the useable upper temperature compared to unfilled PEEK. (Black, -70°F to +600°F)



UHMWPE: Ultra High Molecular Weight Polyethylene - UHMWPE is a semi-crystalline material with excellent chemical, wear and abrasion resistance. It is available FDA / USDA approved. It is primarily used for abrasive applications, and where Teflon cannot be used. (Opaque white, -20°F to +200°F)

PCTFE (KEL-F): PolyChloro TriFluoroEthylene - KEL-F is a fluoro-carbon based polymer that has cryogenic temperature capabilities and exhibits good chemical resistance and mechanical properties. (Translucent white, -320°F to +400°F)

**Dimensional Detail**



**Full Port, FNPT & Weld Ends**

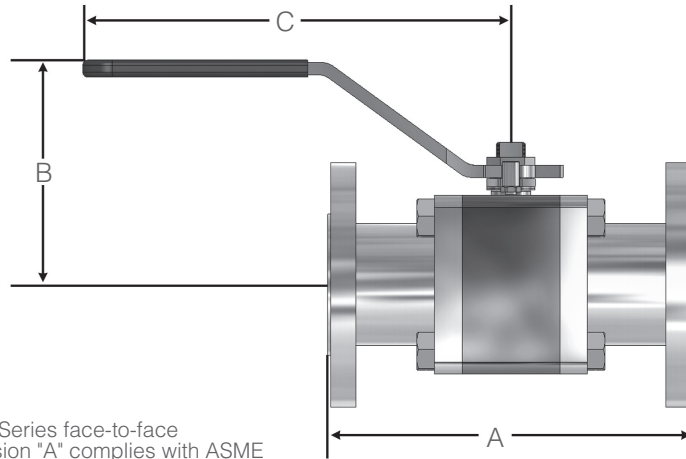
Dimensions, Inches		Dimensions						
Size	Port	FNPT, SW, BW		ESW, EBW		B	C	G
Full Port		A1	Weight (lbs)	A2*	Weight (lbs)			
1/4"	0.43	2.95	2.4	5.50	3.10	2.6	5.4**	1.24
3/8"	0.43	2.95	2.2	5.50	2.90	2.6	5.4**	1.24
1/2"	0.56	3.20	2.8	5.50	3.80	2.8	5.4**	1.31
3/4"	0.74	3.90	5.0	6.00	6.10	3.2	7.6	1.54
1"	1.00	4.40	7.0	6.50	8.50	3.6	7.6	1.47
1-1/4"	1.25	4.70	9.5	7.00	11.5	4.3	8.9	1.71
1-1/2"	1.50	5.50	12.8	7.50	15.2	4.5	8.9	1.86
2"	1.93	5.60	22.0	8.50	26.5	4.7	8.9	2.30
2-1/2"	2.44	9.00	29.7	9.50	29.9	5.4	13.8	2.70
3"	3.00	8.80	38.5	11.12	48.6	5.9	19.7	3.44

Dimensions, Metric		Dimensions						
Size	Port	FNPT, SW, BW		ESW, EBW		B	C	G
Full Port		A1	Weight (kgs)	A2*	Weight (kg)			
DN8	10,9	75	1,1	140	1,4	67	138**	31,5
DN12	10,9	75	1,0	140	1,3	67	138**	31,5
DN15	14,2	81	1,3	140	1,7	70	138**	33,3
DN20	18,8	99	2,3	152	2,8	80	193	39,2
DN25	25,4	112	3,2	165	3,9	92	193	37,4
DN32	31,8	119	4,3	178	5,2	108	225	43,5
DN40	38,1	140	5,8	191	6,9	113	225	47,3
DN50	49,0	142	10,0	216	12,0	118	225	58,5
DN65	62,0	229	13,5	241	13,6	136	351	68,9
DN80	76,2	224	17,5	282	22,0	150	500	87,4

\* ESW and EBW end-to-end lengths "A" are same as ASME B16.10 Class 300 ball valve

\*\* Handle length "C" for 1/4" - 1/2"F exotic material (barstock) valves and for EB (extended bonnet) valves is 6.1 in. (155mm)

**Dimensional Detail**



3000F Series face-to-face dimension "A" complies with ASME B16.10 except Class 150 uses Class 300 face-to-face dimensions

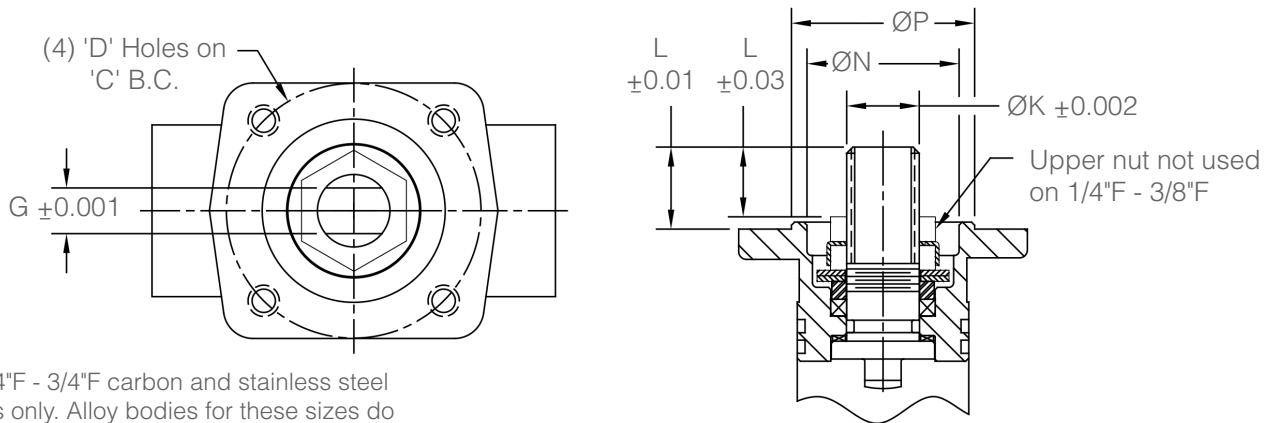
**Full Port, Flanged Ends (ANSI 150, 300, 600, 900)**

Dimensions, Inches					
Valve Size	Flange Size	Dimensions			Weight, lbs
		A	B	C	
1/2"	150#	5.50	2.8	5.4**	5.1
	300#	5.50	2.8	5.4**	6.4
	600#	6.50	2.8	5.4**	7.1
	900#	8.50	2.8	5.4**	7.8
3/4"	150#	6.00	3.2	7.6	8.0
	300#	6.00	3.2	7.6	10.7
	600#	7.50	3.2	7.6	12.0
	900#	9.00	3.2	7.6	12.8
1"	150#	6.50	3.6	7.6	10.9
	300#	6.50	3.6	7.6	14.0
	600#	8.50	3.6	7.6	16.0
	900#	10.00	3.6	7.6	17.1
1-1/4"	150#	7.00	4.3	8.9	14.6
	300#	7.00	4.3	8.9	18.3
	600#	9.00	4.3	8.9	21.3
	900#	11.00	4.3	8.9	23.0
1-1/2"	150#	7.50	4.5	8.9	19.1
	300#	7.50	4.5	8.9	25.3
	600#	9.50	4.5	8.9	29.4
	900#	12.00	4.5	8.9	32.4
2"	150#	8.50	4.7	11.0	32.8
	300#	8.50	4.7	11.0	37.9
	600#	11.50	4.7	11.0	45.2
	900#	14.50	4.7	11.0	49.9
2-1/2"	150#	9.50	5.4	13.8	40.2
	300#	9.50	5.4	13.8	48.3
	600#	13.00	5.4	13.8	58.1
3"	150#	11.12	5.9	19.7	43.7
	300#	11.12	5.9	19.7	67.5
	600#	14.00	5.9	19.7	83.4

Dimensions, Metric					
Valve Size	Flange Size	Dimensions			Weight, kgs
		A	B	C	
DN15	150#	139,7	70	138**	2,3
	300#	139,7	70	138**	2,9
	600#	165,1	70	138**	3,2
	900#	215,9	70	138**	3,6
DN20	150#	152,4	80	193	3,6
	300#	152,4	80	193	4,9
	600#	190,5	80	193	5,5
	900#	228,6	80	193	5,8
DN25	150#	165,1	92	193	4,9
	300#	165,1	92	193	6,3
	600#	215,9	92	193	7,3
	900#	254,0	92	193	7,8
DN32	150#	177,8	108	225	6,6
	300#	177,8	108	225	8,3
	600#	228,6	108	225	9,6
	900#	279,4	108	225	10,4
DN40	150#	190,5	113	225	8,7
	300#	190,5	113	225	11,5
	600#	241,3	113	225	13,3
	900#	304,8	113	225	14,7
DN50	150#	215,9	118	279	14,9
	300#	215,9	118	279	17,2
	600#	292,1	118	279	20,5
	900#	268,3	118	279	22,6
DN65	150#	241,3	136	351	18,3
	300#	241,3	136	351	21,9
	600#	330,2	136	351	26,4
DN80	150#	203,2	150	500	19,8
	300#	282,4	150	500	30,6
	600#	355,6	150	500	37,8

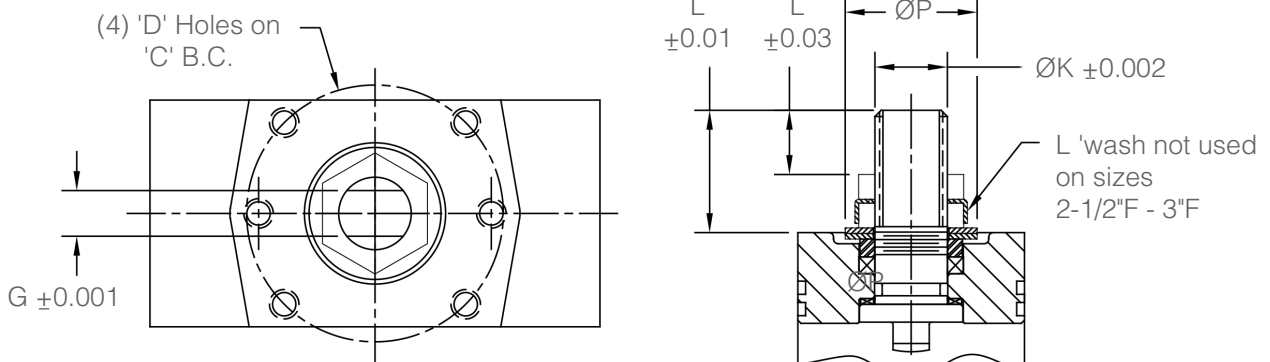
\*\* Handle length "C" for 1/4" - 1/2"F exotic material (barstock) valves and for EB (extended bonnet) valves is 6.1 in. (155mm)

**3000F Series Top Mounting Dimensions**



For 1/4" F - 3/4" F carbon and stainless steel bodies only. Alloy bodies for these sizes do not have mounting pad and require saddle bracket for automation

**Figure 1: 1/4" F - 3/4" F**



ART1070-F

**Figure 2: 1" F - 3" F**

Dimensions, Inches										
Size	Fig.	C	D (Thread)	Mtg	G	ØK	L	M	ØN	øP
1/4", 3/8"	1	Ø1.42	10-24UNC	F03	0.214	0.391	0.19	0.31	0.83	1.00
1/2"	1	Ø1.42	10-24UNC	F03	0.214	0.391	0.30	0.26	0.84	1.00
3/4"	1	Ø1.65	10-24UNC	F04	0.294	0.467	0.53	0.41	0.98	1.18
1"	2	Ø1.65	10-24UNC	F04	0.294	0.467	0.79	0.38	—	0.85
1-1/4", 1-1/2"	2	Ø1.97	1/4-20 UNC	F05	0.351	0.587	1.05	0.54	—	0.98
2"	2	Ø1.97	1/4-20 UNC	F05	0.540	0.701	1.13	0.45	—	1.40
2-1/2"	2	Ø2.76	5/16-18 UNC	F07	0.628	0.865	1.30	0.50	—	1.75
3"	2	Ø2.76	5/16-18 UNC	F07	0.701	0.943	1.15	0.64	—	1.97

Dimensions, Metric										
Size	Fig.	C	D (Thread)	Mtg	G	ØK	L	M	ØN	øP
DN8, 12	1	Ø36	10-24UNC	F03	5,44	9,93	4,83	7,87	21,1	25,4
DN15	1	Ø36	10-24UNC	F03	5,44	9,93	7,62	6,60	21,3	25,4
DN20	1	Ø42	10-24UNC	F04	7,47	11,86	13,46	10,41	24,9	30,0
DN25	2	Ø42	10-24UNC	F04	7,47	11,86	20,07	9,65	—	21,6
DN32, DN40	2	Ø50	1/4-20 UNC	F05	8,92	14,91	26,67	13,72	—	24,9
DN50	2	Ø50	1/4-20 UNC	F05	13,71	17,80	28,70	11,43	—	35,6
DN65	2	Ø70	5/16-18 UNC	F07	15,95	21,97	33,02	12,70	—	44,5
DN80	2	Ø70	5/16-18 UNC	F07	17,80	23,95	29,21	16,26	—	50,0

Operating Torque & Flow Coefficient (Customary)							
Valve Size Inches	Operating Torque, in-lb						Flow Coefficient CV
	PTFE		RPTFE		CRPTFE		
	Pressure	Torque	Pressure	Torque	Pressure	Torque	
1/4", 3/8"	1000	72	1500	72	2800	72	8
1/2"	1000	72	1500	72	2800	96	15
3/4"	1000	108	1500	96	2800	120	34
1"	1000	204	1500	135	2800	240	48
1-1/4"	1000	220	1500	220	2200	419	85
1-1/2"	1000	240	1500	353	2200	779	125
2"	700	432	1000	830	2000	1460	275
2-1/2"	700	1348	1000	1515	2000	2640	460
3"	700	1460	1000	2358	1500	2995	700

Operating Torque & Flow Coefficient (Metric)				
Valve Size NPS	Operating Torque, Nm			Flow Coefficient, Kv
	PTFE	RPTFE	CRPTFE	
DN8, DN12	8,1	8,1	8,1	6,9
DN15	8,1	8,1	10,8	12,9
DN20	12,2	10,8	13,6	29,2
DN25	23	15,3	27,7	41,3
DN32	24,9	24,9	47,3	73
DN40	27,1	39,9	88	108
DN50	48,8	94	165	237
DN65	152	171	298	396
DN80	165	266	338	602

PTFE, RPTFE, and CRPTFE are the most common seat materials. Operating torque given is for maximum CWP seat rating of valve (see pressure-temperature charts). For required torque for actuator sizing, apply service factor of 1.2 for normal operating conditions. More or less torque may be required depending upon operating differential pressure across closed ball, fluid, frequency of operation, etc. Consult the Marwin Flow Sizing Program for torques at specific differential pressures and additional seat materials. It may be downloaded for free at [www.marwinvalve.com](http://www.marwinvalve.com)

Prefix	Model	Size	Body Mat'l	1	2	3	4	5	6	7	8	9	10	11	12	13	14	15	16	17	18

Prefix	
	No Special Options
AM	Ammonia Service w/ US Vented Ball
EB	3" Bolted Bonnet Extension (1000 psi max)
FS	Firesafe (TG, RG, or SG Seats & GV or GE Pack)
NA	NACE Service
OX	Oxygen Service w/ US Vented Ball
VA	Vacuum Service

Model Number	
3000F	Full Port

Size	
025	1/4"
038	3/8"
050	1/2"
075	3/4"
100	1"
125	1-1/4"
150	1-1/2"
200	2"
250	2-1/2"
300	3"

Body Material	
CS	Carbon Steel WCB
S6	Stainless Steel CF8M
6L	316L
A2	Alloy 20
DU	Duplex
HC	Hastelloy C
MN	Monel
TI	Titanium
ZZ	Other Special Alloy

1 & 2	End Connections
PT	FNPT
SW	FSW
SE	FSW Extended
F1	150# FE
F3	300# FE
F6	600# FE
E4	XBWE Extended Sch 40
E8	XBWE Extended Sch 80
F9	900# FE
F5	1500# FE
ZZ	Non-Standard



3&4	Trim (Ball / Stem)
S6	316SS (std for WCB & CF8M va' except PK & CPK seats)
6L	316L
6P	316SS/17-4 PH (std for va's w/ PK & CPK seats)
A2	Alloy 20
DU	Duplex
HC	Hastelloy C
MN	Monel
TI	Titanium
ZZ	Other Special Alloy

5&6	Seat / Body Seal(s) / Thrust Wash.
TF	PTFE/PTFE & NA/PTFE
RT	RPTFE/RPTFE & NA/RPTFE
SF	C-RPTFE/RPTFE & NA/C-RPTFE
DL	Delrin/Viton & NA/RPTFE
PK	PEEK/Viton & NA/PEEK (Use 6P Trim)
CP	C-PEEK/Graphite & Viton/PEEK (Use 6P Trim)
KF	Kel-F/PTFE & NA/PTFE
UM	UHMWPE/Viton & NA/UHMWPE
TG	PTFE/GR/GR
RG	RPTFE/GR/GR
SG	C-RPTFE/GR/GR
ZZ	Non-Standard

Note: NA = "Non-asbestos" (Aramid/NBR)

7&8	Packing / Stem O-Ring
TV	PTFE/Viton
TE	PTFE/EPDM
GV	Grafoil/Viton
GE	Grafoil/EPDM
UV	UHMWPE/Viton
ZZ	Non-Standard

9&10	Handle & Gear Operator
NN	None
HL	Handle Lever
HD	Handle Lever with Locking Device
ZZ	Non-Standard

11&12	Actuator		
00	None		
P1	UT-0A-DA STD	S1	UT-0-SR STD
P2	UT-0-DA STD	S2	UT-1-SR STD
P3	UT-1-DA STD	S3	UT-2-SR STD
P4	UT-2-DA STD	S4	UT-2.5-SR STD
P5	UT-2.5-DA STD	S5	UT-3-SR-STD
P6	UT-3-DA STD	S6	UT-3.5-SR STD
P7	UT-3.5-DA STD	S7	UT-4-SR STD
P8	UT-4-DA STD	SF	UT-4.5-SR STD
PF	UT-4.5-DA STD	S8	UT-5-SR STD
P9	UT-5-DA STD	S9	UT-6-SR STD
PA	UT-6-DA STD	SA	UT-7-SR STD
PB	UT-7-DA STD	SJ	UT-7.5-SR STD

11&12	Operation
M1	ER-1-2.5-4 110 VAC
M2	ER-2-5-4 110 VAC
M3	ER-3-5-4 110 VAC
M8	ER-4-10-4 110 VAC
M4	ER-6-15-4 110 VAC
M5	ER-10-15-4 110 VAC
M9	ER-15-30-4 110 VAC
MA	ER-20-12-4 110 VAC
M7	ER-38-14-4 110 VAC
ZZ	Non-Standard

13&14	Solenoid Feature	Act. Type
00	None	
3A	3W 8551-120VAC N4 UT-0/5	SR
3C	3W EF8551-120VAc N7 UT-0/5	SR
3J	3W 8317G35-120VAC N4 UT-0/2.5	SR
3M	3W 8321G1-120VAC N4 UT-3/5	SR
3Q	3W EF8317G35-120VAC N7 UT-0/2.5	SR
3R	3W EF8321G1-120VAC N7 UT-3/5	SR
4A	4W 8551-120VAC N4 UT-0A	DA
4B	4W 8551-120VAC N4 UT-0/5	DA
4D	4W EF8551-120VAC N7 UT-0A	DA
4E	4W EF8551-120VAC N7 UT0/5	DA
ZZ	Non-Standard	

15	Limit Switch
0	None
A	LS FMYB-5120-N4 to UT-0/3
B	LS FMYB-5120-N4 to UT-3.5/7
C	LS AMYB-5120-N7 to UT-0/3
D	LS AMYB-5120-N7 to UT-3.5/7
Z	Non-Standard

16	Positioner
0	None
A	Siemens 760P (3-15 psi), for UT-0/3
B	Siemens 760P (3-15 psi), for UT-3.5/7
C	Siemens 760E (4-20mA), for UT-0/3
D	Siemens 760E (4-20mA) for UT-3.5/7
E	Siemens 2-IQ (4-20mA) for UT-0/3DA
F	Siemens 2-IQ (4-20mA) for UT-3.5/7DA
Q	Siemens 2-IQ (4-20mA) for UT-0/3SR
R	Siemens 2-IQ (4-20mA) for UT-3.5/7SR
Z	Non-Standard

17	Fail Position
0	None / No Spring Actuator
1	Fail Open - 80 psi supply
2	Fail Closed - 80 psi supply
3	Fail Open - 60 psi supply
4	Fail Closed - 60psi supply

18	Accessory
0	None
4	Air Filter Regulator