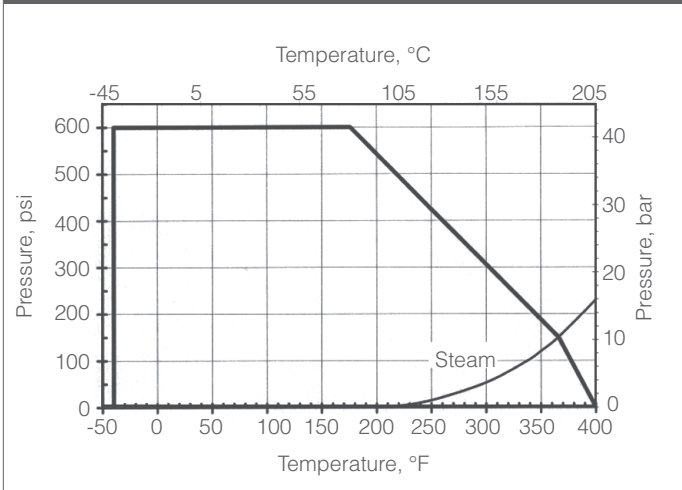




Features

- High integrity hot forged brass body
- Blow-out proof stem
- PTFE seals
- Adjustable PTFE packing with stem O-ring
- 100% tested
- Lever operated

Series 666R Pressure-Temperature Ratings



Technical Specifications

Valve Size Inches	Flow Coefficient, Cv
1/2"	8.5
3/4"	12.8
1"	30.0
1-1/4"	41.7
1-1/2"	82
2"	125

666RTTS Series Reduced Port Valve

Quick Spec	
Product Scope	
Size Range	1/2" – 2", Reduced Port
Body Type	2-pc, End Entry with FNPT Ends
Pressure Rating	600 psi WOG (41 bar)
Temperature Range / WSP	-40°F thru 366°F / 150 psi Steam -40°C thru 186°C / 10,3 bar Steam
Body	Brass, Hot Forged
Trim	Brass, Chrome Plated
Seats	PTFE
Stem Packing / Seals	Adjustable PTFE / Buna-N O-Ring
Operator	Manual Lever, Non-Locking
Design Standards	
Threaded End Design	ASME B1.20.1
Testing Standards	
Pressure Testing	MSS-SP-110
Approvals	
CSA _{us}	

Materials of Construction 600 Standard Port Series

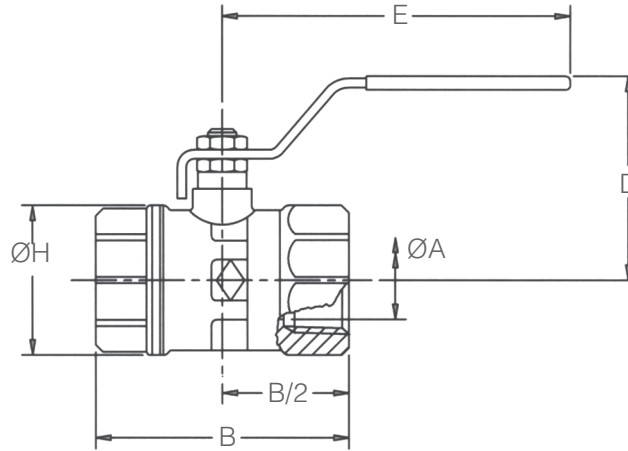
Part	Material
Body	*Brass CuZn40Pb2
End Cap	*Brass CuZn40Pb2
Ball	*Brass CuZn40Pb2 Cr. Plated
Stem	**Brass CuZn39Pb3
Seat	PTFE
Thrust Washer, Stem	PTFE
O-Ring, Stem	NBR
Packing, Stem	PTFE
Gland	**Brass CuZn39Pb3
Nut, Gland	Steel, Plated
Handle	Steel, Plated
Nut, Handle	Steel, Plated

* UNI EN 12165 CW617N (59Cu-40Zn-2Pb) equivalent to Hot Forging Brass UNS C37700 (60Cu-39Zn-2Pb)

** UNI EN 12164 CW614N (58Cu-39Zn-3Pb) equivalent to Architectural Brass bar UNS C38500 (57Cu-40Zn-3Pb)

Technical Specifications, metric

Valve Size NPS	Flow Coefficient, Kv
DN15	7,3
DN20	11,0
DN25	25,8
DN32	35,8
DN40	71
DN50	108



MD60024

Dimensions, Inches						
Valve Size	666RTTS Series					
Inches	ØA Port	B Length	D	E	ØH Body OD	Wt (lbs)
1/2"	0.47	2.30	1.8	3.9	1.08	0.40
3/4"	0.59	2.70	1.9	3.9	1.34	0.60
1"	0.79	2.93	2.3	4.8	1.61	0.93
1-1/4"	0.98	3.30	2.5	4.8	2.05	1.48
1-1/2"	1.26	3.54	3.0	6.0	2.32	2.00
2"	1.57	4.07	3.2	6.0	2.87	3.05

Dimensions, mm						
Valve Size	666RTTS Series					
NPS	ØA Port	B Length	D	E	ØH Body OD	Wt (kgs)
DN15	11,9	58,4	45,0	98,0	27,4	0,18
DN20	15,0	68,6	47,0	98,0	34,0	0,27
DN25	20,1	74,4	58,9	121,9	40,9	0,42
DN32	24,9	83,8	63,0	121,9	2,05	0,67
DN40	32,0	89,9	76,2	152,9	2,32	0,91
DN50	39,9	103,4	82,0	152,9	72,9	1,38

How to Order							
Body	Ball	Stem	Port	Packing	Seats	Ends	Size
6 = Brass	6 = Brass	6 = Brass	R = Reduced Port	T = PTFE	T = PTFE	S = FNPT	050
							075
							100
							125
							150
							200

Sample Ordering Schematic

6	6	6	R	T	T	S	050
---	---	---	---	---	---	---	-----

Marwin Valve

A Division of Richards Industrials, 3170 Wasson Road, Cincinnati, OH 45209
 toll free. 800.543.7311, local. 513.533.5600, fax. 513.871.0105
www.marwinvalve.com