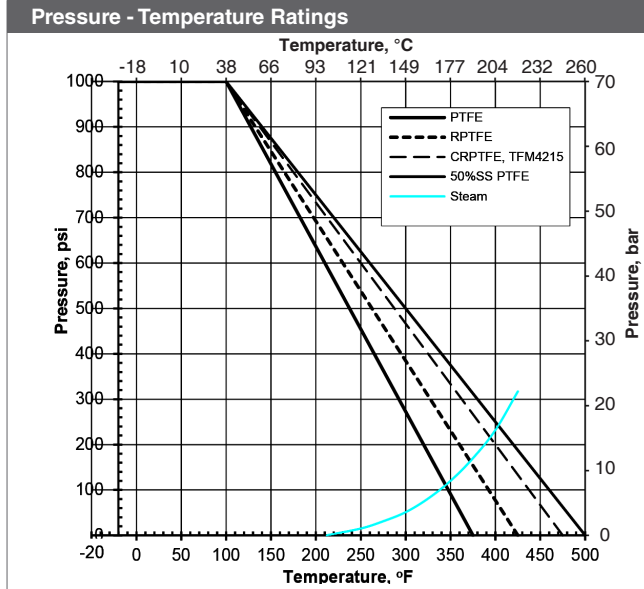




**Features**

- Investment cast body construction
- ISO 5211 actuator mounting pad
- Blow-out proof stem
- Reinforced PTFE seats
- Adjustable, live loaded PTFE stem packing
- API 598 inspection and testing
- Locking lever operator
- Ammonia service available upon request



Technical Specifications		
Valve Size Inches	Operating Torque, in-lb 250 - 1000 psi	Flow Coefficient, Cv
1/2"	45	17
3/4"	70	34
1"	130	57
1-1/4"	190	80
1-1/2"	250	143
2"	400	245

**8700F-XXX-CS Series Full Port Valve**

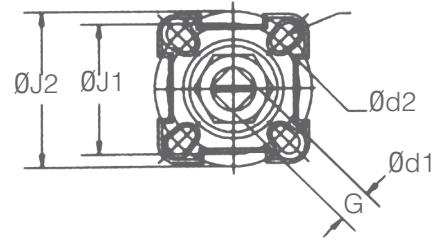
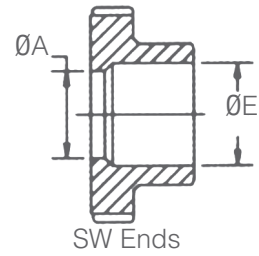
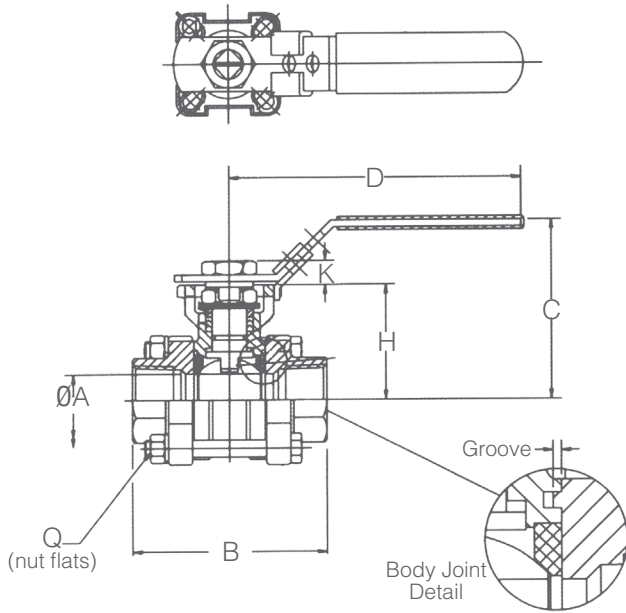
**8700F-XXX-S6 Series Full Port Valve**

Quick Spec	
Product Scope	
Size Range	1/2" – 2", Full Port
Body Type	3-pc, non swing-out w/FNPT ends (weld optional)
Pressure Rating	1000 psi WOG (69 bar)
Temperature Range / WSP	-20°F thru 450°F / 150 psi Steam -29°C thru 232°C / 10,3 bar Steam
Body	Stainless or Carbon Steel Body
Ball & Stem	Stainless Steel, Anti-Static Design
Ball Seats	RPTFE
Stem Packing & Seals	Adjustable, Live Loaded PTFE, w/Viton o-ring Stem & PTFE body
Operator/Mounting Pad	Manual Locking Lever / ISO 5211
Design Standards	
Design	ASME B16.34
Thread Design	ASME B1.20.1
Testing Standards	
Pressure Testing	API 598
Approvals	
CRN0C5539.5	

Standard Materials of Construction		
Part	Carbon Steel	Stainless Steel
Body	WCB	CF8M
End Cap		
Seat	PTFE + 15% GF	
Ball	CF8M/316	
Stem	AISI 316	
Seal, Body	PTFE	
Thrust Washer	PTFE + 15% GF	
Packing	PTFE	
Belleville Spring Washer	AISI 301	
Galnd Ring	AISI 304	
Handle, Locking		
Nut, Stem		
Stop Screw	Vinyl	
Cover, Handle		
Bolt, Body	AISI 304 or B8	
Lockwasher, Body	AISI 304	
Nut, Body		
Locking Tab		
O-Ring, Stem	Viton	
Antistatic Ball	AISI 316	
Antistatic Spring		
Name Plate	SS	

Technical Specifications, metric		
Valve Size NPS	Operating Torque, N.m 17,2 - 68,9 bar	Flow Coefficient, Kv
DN15	5,1	14,6
DN20	7,9	29,2
DN25	14,7	49,0
DN32	21,5	68,8
DN40	28	123
DN50	45	211

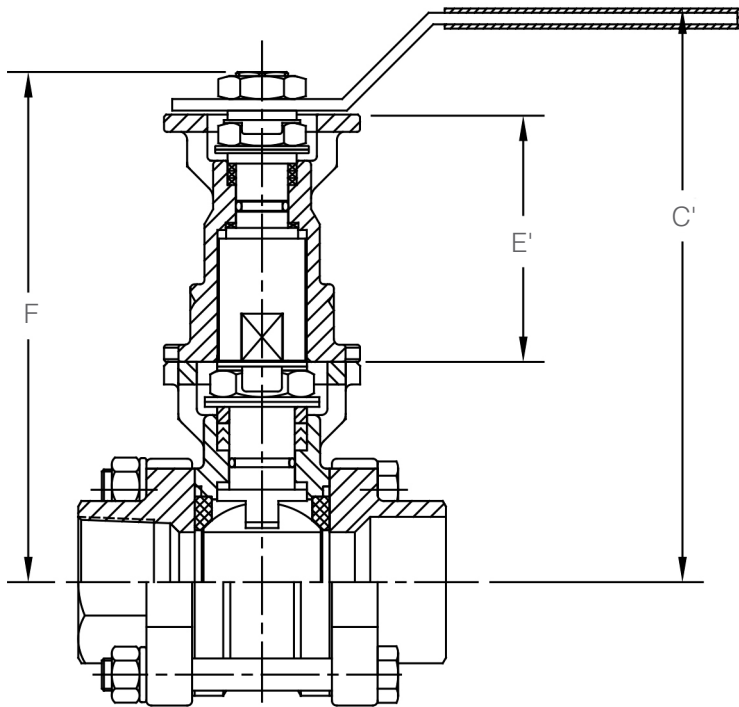
Operating torques in table are for RPTFE seats. For PTFE seats, multiply by 0.87; for CRPTFE (15% Glass PTFE), MG1241 (5% Graphite, 20% Glass PTFE), and 50% SS PTFE, multiply by 1.09. Include an appropriate service factor for sizing actuators



Dimensions, Inches															
Valve Size	ØA	B	C	D	ØE	G Sq.	H	ØJ1 (BC)	Ød1	ISO Pattern	ØJ2 (BC)	Ød2	ISO Pattern	K	Weight, lbs
1/2"	0.63	2.95	2.8	4.4	0.86	0.354	1.67	1.42	0.24	F03	1.65	0.24	F04	0.32	1.4
3/4"	0.79	3.15	2.9	4.4	1.07	0.354	1.78	1.42	0.24	F03	1.65	0.24	F04	0.32	2.0
1"	0.96	3.54	3.3	5.3	1.34	0.433	2.13	1.65	0.24	F04	1.97	0.28	F05	0.40	3.0
1-1/4"	1.26	4.33	3.5	5.3	1.68	0.433	2.33	1.65	0.24	F04	1.97	0.28	F05	0.40	4.6
1-1/2"	1.50	4.72	4.3	6.5	1.92	0.551	2.89	1.97	0.28	F05	2.76	0.35	F07	0.58	6.6
2"	1.97	5.51	4.7	6.5	2.41	0.551	3.26	1.97	0.28	F05	2.76	0.35	F07	0.58	10.0

Dimensions, mm															
Valve Size	ØA	B	C	D	ØE	G Sq.	H	ØJ1 (BC)	Ød1	ISO Pattern	ØJ2 (BC)	Ød2	ISO Pattern	K	Weight, kgs
DN15	16,0	74,9	71	110	21,8	9	42,4	36,1	6,0	F03	41,9	6,0	F04	8,0	0,6
DN20	20,1	80,0	74	110	27,2	9	44,7	36,1	6,0	F03	41,9	6,0	F04	8,0	0,9
DN25	24,4	89,9	84	135	34,0	11	54,1	41,9	6,0	F04	50,0	7,0	F05	10,0	1,4
DN32	32,0	110	90	135	42,7	11	59,2	41,9	6,0	F04	50,0	7,0	F05	10,0	2,1
DN40	38,1	120	110	165	48,8	14	73,4	50,0	7,0	F05	70,1	9,0	F07	14,8	3,0
DN50	50,0	140	119	135	61,2	14	82,8	50,0	7,0	F05	70,1	9,0	F07	14,8	4,6

Enclosed Stem Extension, 1/2" - 2" 8700F



ART1354

Size	Dimensions, In.		
	C'	E'	F
1/2"	5.18	2.39	4.38
3/4"	5.28	2.39	4.47
1"	5.95	2.64	5.16
1 1/4"	6.16	2.64	5.42
1 1/2"	7.69	3.38	6.85
2"	8.06	3.38	7.22

**Ordering Schematic**

Model	Size	Body Mat'l	1	2	3	4	5	6	7	8	9	10	11	12

Model Number	
8700F	3 Piece Ball Valve

Body Material	
CS	Carbon Steel
S6	Stainless Steel

Size	
05A	1/2"
07A	3/4"
10A	1"
12A	1-1/4"
15A	1-1/2"
20A	2"

Packing / Seat	
B	PTFE/RPTFE (Standard)
A	PTFE/PTFE
C	PTFE/CRPTFE
D	PTFE/UHMWPE
E	Grafoil/PTFE
G	Grafoil/CRPTE
H	Grafoil/UHMWPE
J	UHMWPE/UHMWPE

**Ordering Schematic, Cont.**

2	End Connections
A	FNPT
B	FSW

3&4	Operation
HL	Lever
EB	Enclosed Stem Extension & Handle
NN	None
P1	UT-0A-DA STD
P2	UT-0-DA STD
P3	UT-1-DA STD
P4	UT-2-DA STD
P5	UT-2.5-DA STD
S1	UT-0-SR STD
S2	UT-1-SR STD
S3	UT-2-SR STD
S4	UT-2.5-SR STD
S5	UT-3-SR-STD
S6	UT-3.5-SR STD
M1	ER-1-2.5-4 110 VAC
M2	ER-2-5-4 110 VAC
M3	ER-3-5-4 110 VAC
M8	ER-4-10-4 110 VAC
M4	ER-6-15-4 110 VAC
ZZ	Non-Standard

5&6	Actuator Pressure
60	60 psi
80	80 psi
NN	N/A (no pneumatic actuator)
ZZ	Non-Standard

7&8	Solenoid Feature	Act. Type
00	None	
3A	3W 8551-120VAC N4 UT-0/5	SR
3C	3W EF8551-120VAc N7 UT-0/5	SR
3J	3W 8317G35-120VAC N4 UT-0/2.5	SR
3M	3W 8321G1-120VAC N4 UT-3/5	SR
3Q	3W EF8317G35-120VAC N7 UT-0/2.5	SR
3R	3W EF8321G1-120VAC N7 UT-3/5	SR
4A	4W 8551-120VAC N4 UT-0A	DA
4B	4W 8551-120VAC N4 UT-0/5	DA
4D	4W EF8551-120VAC N7 UT-0A	DA
4E	4W EF8551-120VAC N7 UT0/5	DA
ZZ	Non-Standard	

9&10	Limit Switch
00	None
AA	LS FMYB-5120-N4 to UT-0/3
AB	LS FMYB-5120-N4 to UT-3.5/7
AC	LS AMYB-5120-N7 to UT-0/3
AD	LS AMYB-5120-N7 to UT-3.5/7
ZZ	Non-Standard

11&12	Fail Position
NN	Fail Position N/A (No "SR" Actuator)
01	Fail Closed
02	Fail Open

**Marwin Valve**

A Division of Richards Industrials, 3170 Wasson Road, Cincinnati, OH 45209  
 toll free. 800.543.7311, local. 513.533.5600, fax. 513.871.0105  
[www.marwinvalve.com](http://www.marwinvalve.com)