

# SV3: DIVERT MULTI-PATH, BLOCK VALVE

## Manual or Pneumatically Actuated Barstock Multiple Path Diversion Valves

Steriflow's patented divert valve in 316L offers exceptional drainage and optimal flow rates due to the fully swept flow path. Divert valves allow process fluids to be diverted, mixed or sampled. These are available from 1/2" - 3" in several combinations of outlets and sizes.

## SPECIFICATIONS AND FEATURES\*

### Available Sizes:

- » Standard Valve: 1/2" - 3" (DN15 - DN80)

### Connection Type:

- » Tri-clamp, Extended Tube End, Custom including Hose Barb

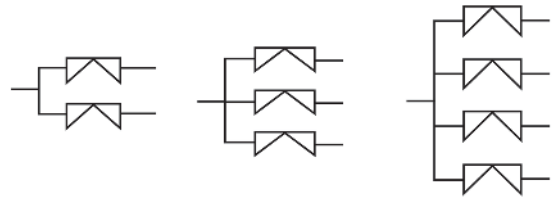
### Materials:

- » Standard: Barstock, ASME SA479 316L (UNS 31603) or EN 10272:2000 GR 1.4435
- » Optional: AL-6XN®, Hastelloy® C-22 and others readily available

### Surface Finish:

- » Wetted Interior:
  - Standard:
    - ASME BPE SF1, 20 Ra  $\mu\text{in}$  (0,5 Ra  $\mu\text{m}$ )
    - ASME BPE SF5, 20 Ra  $\mu\text{in}$  (0,5 Ra  $\mu\text{m}$ ) Electropolish
  - Optional:
    - ASME BPE SF4, 15 Ra  $\mu\text{in}$  (0,4 Ra  $\mu\text{m}$ ) Electropolish. Better finish upon request.
- » Exterior:
  - Standard: 40 Ra  $\mu\text{in}$  (1,0 Ra  $\mu\text{m}$ ) and better upon request

\* See page 4 & 5 for GENERAL FEATURES, GENERAL SPECIFICATIONS regarding features and specifications that apply to all valves



## APPLICATIONS

Multiple Wier Manual on/off or Air Actuated for multi-path diversion of Drug Process Additives, Drug Product and Clean Utilities for mixing, sampling or other purposes.

- » Upstream:
  - Bioreactor/Fermenter: For diversion of WFI, growth media, intermediate drug product, clean dry air and gas, clean steam and clean utility fluids
- » Downstream:
  - For diversion of WFI, buffers, solvent, intermediate and finished drug product, clean dry air and gas, clean steam, and clean utility fluids in the following production area
    - Separation
    - Filtration
    - Chromatography
    - Formulation
    - Fill Finish
- » Buffer and Media Prep:
  - For diversion control of WFI, buffers and growth media

## BONNET / ACTUATOR SPECIFICATIONS

### Manual Bonnet Assembly:

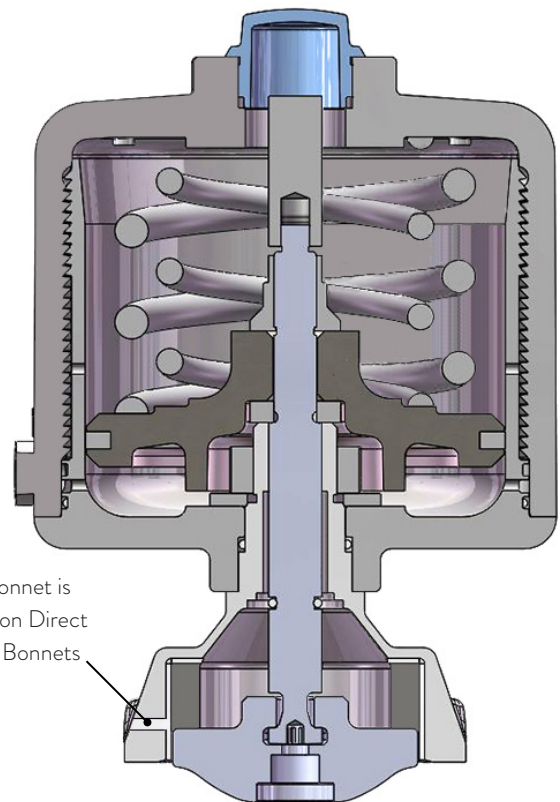
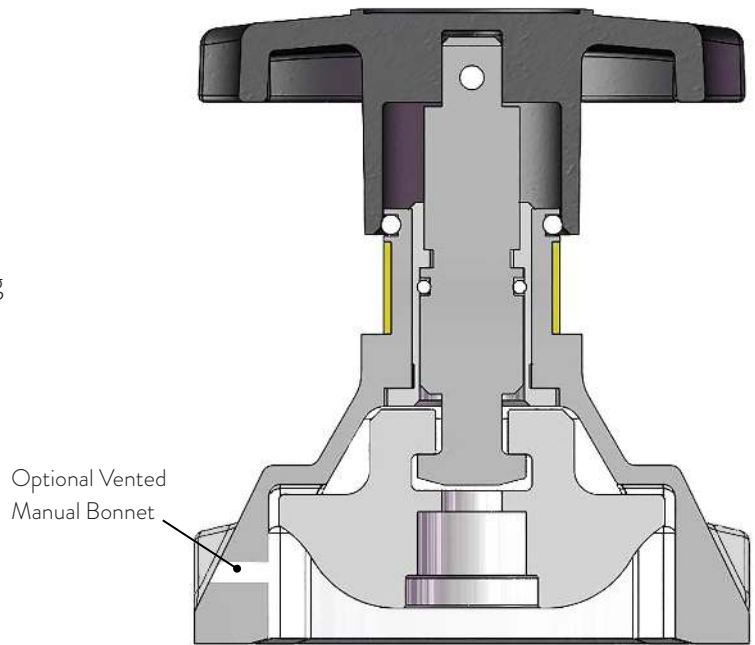
- » Available for sizes: 1/2" - 4" (DN15 - DN100)
- » Closing Stop: adjustable
- » Bright visual position indicator
- » Options: contact factory for proximity switches, locking devices and stroke limiter

### Bonnet Materials

- » Bonnet: electropolished Stainless Steel
- » Compressor: Stainless Steel
- » Insert: brass
- » Thrust Washer: PTFE
- » Compressor Pin: Stainless Steel
- » Indicator: Polyolefin
- » Stem: Stainless Steel
- » Handwheel: PPS (1/4" - 2") (DN8 - DN50); Stainless Steel (2-1/2" - 4") (DN65 - DN100)

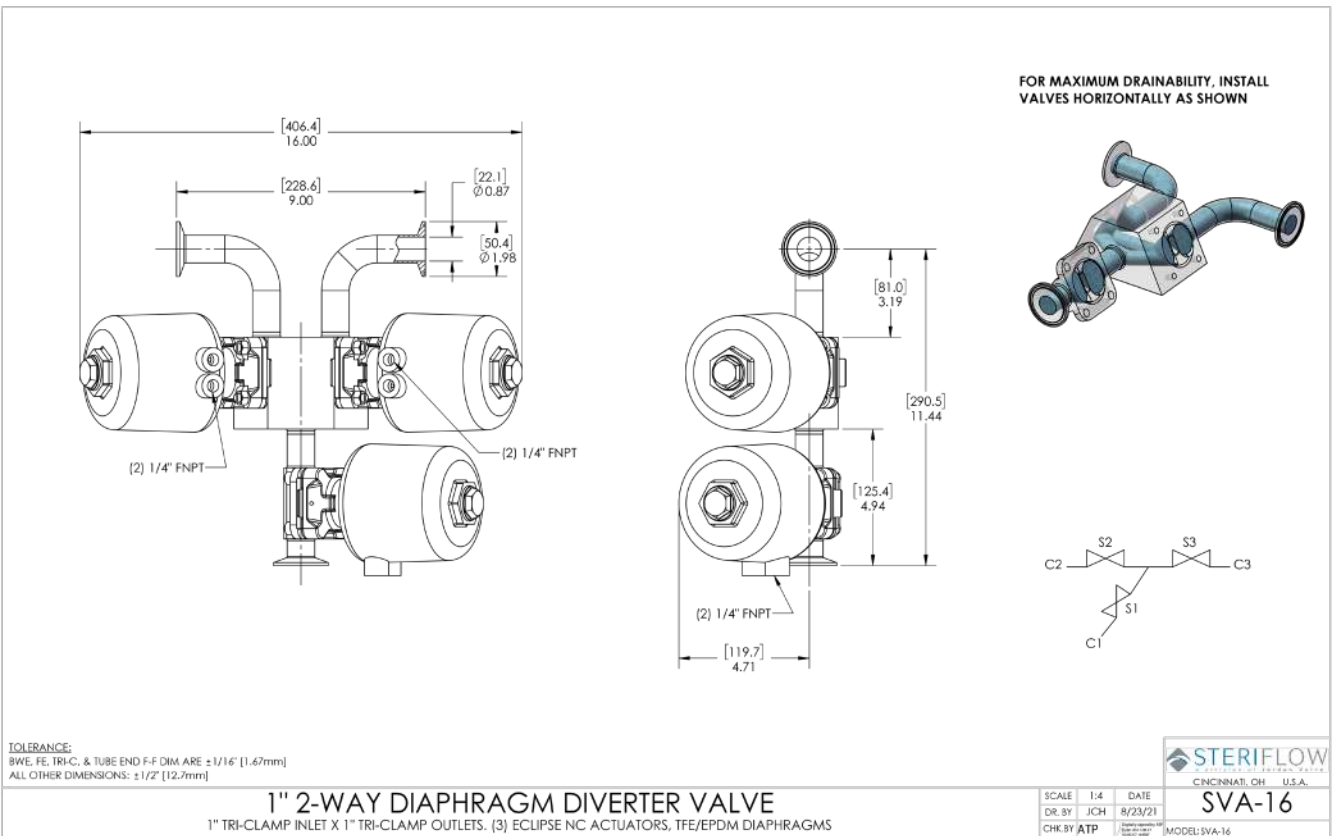
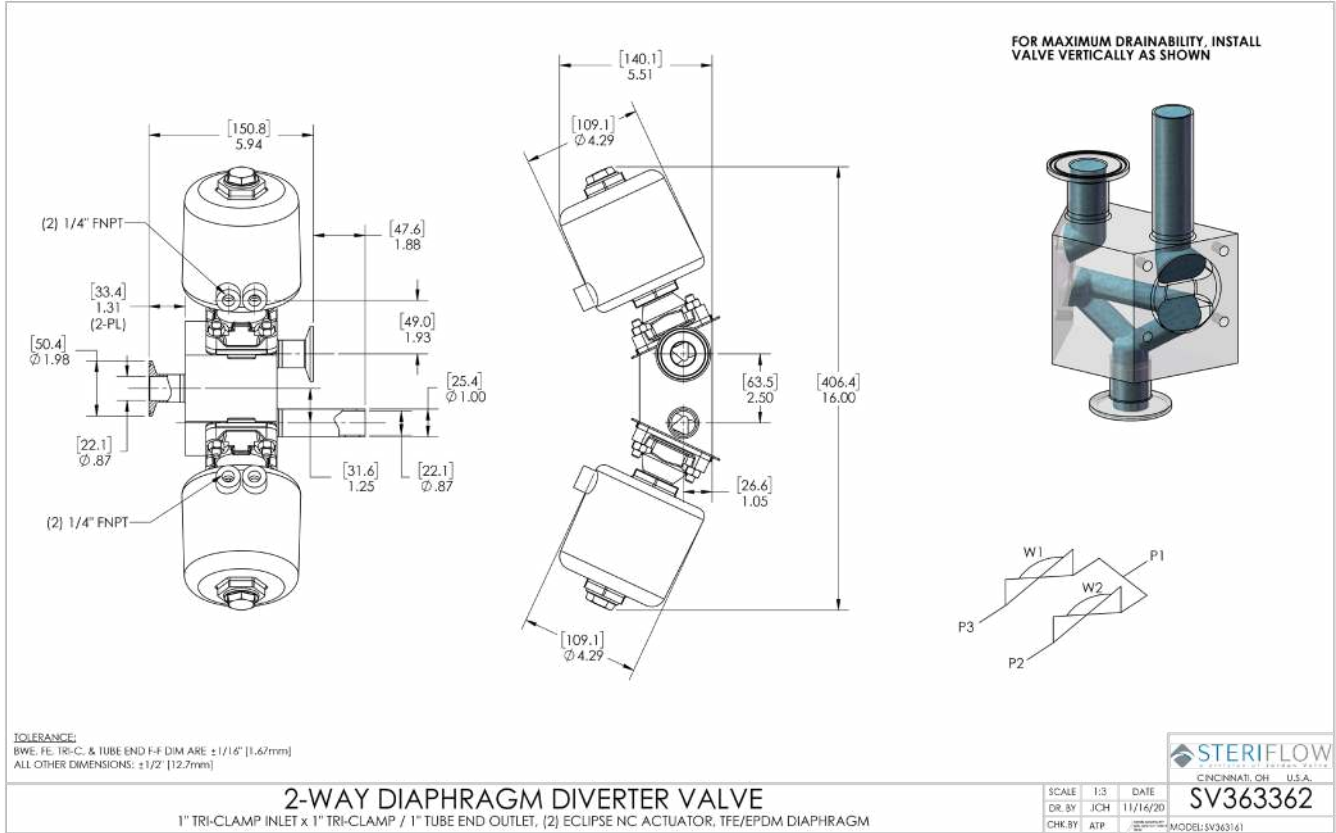
### Air Actuated Bonnets:

- » Available for sizes: 1/2" - 2" (DN15 - DN50) standard; 3" & 4" (DN80 & DN100) optional
- » Air Actuator Materials: Polyamide, Stainless Steel, Stainless Steel base standard for all configurations
- » Actuator Seal: Actuator springs and seals can be replaced without exposing process
- » Orientation: Swivel feature allows 360° orientation of air inlet
- » Air Connections: NPT Stainless Steel base standard for all configurations
- » Function: Change from Normally Open or Normally Closed by inverting the actuator housing
- » Control System Interface: Available with optional switch packages for on/off control or with positioners for flow control and modulation



# DIMENSIONS

## Example drawings of some available configurations





## ORDERING SCHEMATIC (DIVERT, MULTI-PATH BLOCK VALVE)

MODEL	TYPE	SIZE	CONN.	FINISH	ACTUATION	DIAPHRAGM	ACCY	COMP.
SV								

1	TYPE
3	Divert Block, 2-way Valve

2	SIZE (INLET & OUTLET)
4	1/2"
5	3/4"
6	1"
7	1-1/2"
8	2"
9	2-1/2"
A	3"

3	CONNECTION
1	OD Tube
2	Clamp
3	OD Tube x Clamp
Z	Non-standard

4	INTERNAL SURFACE FINISH
1	SF1, 20Ra µin
2	SF4 15Ra µin (0,4 Ra µm) EP
3	SF5 20Ra µin (0,5 Ra µm) EP
Z	Non-standard, consult factory

5	ACTUATION
1	Manual
2	Manual Vented
3	2 1/2" - 4" Actuator Spring to Close
4	2 1/2" - 4" Actuator Spring to Open
5	Eclipse Actuator, Double Acting (1/2" - 2" standard)
6	Eclipse Actuator, Spring to Close (1/2" - 2" standard)
7	Eclipse Actuator, Spring to Open (1/2" - 2" standard)

6	DIAPHRAGM
1	EPDM
2	TFM/EPDM
Z	Non-standard

7	ACCESSORIES
1	Switch 2 Position
2	Positioner 4-20 mA
Z	Non-standard, consult factory

8	CE/PED COMPLIANCE
OG	SEP (0.25" to 1")
OF	CE Category 1 (1-1/2" to 4")

Please Contact Factory for special configurations or connection sizes. All queries are welcome.

# SANITARY DIAPHRAGM VALVES

Manual or Air Actuated Forged 2-way or Cast 2-way, Ported and Tandem valves. Barstock Zero Static T-Block, Point of Use T-Block, Divert Tank Bottom and Custom Block Body valves

## FEATURES

- » Body & Trim Material: traceable ASME and DIN grade of 316L and Super-Austenitic Stainless Steel and Super Alloys readily available
- » Size Range: 1/4" - 4" (DN8 - DN100)
- » Manual or Air Actuated
- » Surface Finish:
  - Wetted Interior: ASME BBE SF5 20 Ra  $\mu\text{m}$  (0.5 Ra  $\mu\text{m}$ ). Electropolish standard, SF4 and better finish available
  - Exterior: See individual model specifications
- » Diaphragm: All FDA, FDA/USP <88>, <87> Class VI, ADI-TSE Free
  - TFM/EPDM Backer
  - EPDM - Peroxide Cured

## DOCUMENTATION



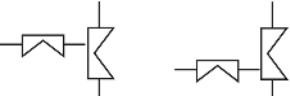
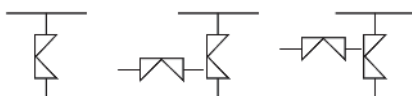
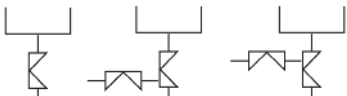
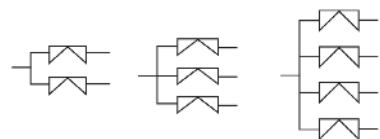

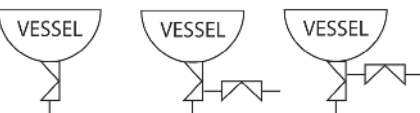
- » Steriflow Unicert; Certificate of Compliance for:
  - Material, including MTR's
  - Surface Finish
  - FDA/USP <88>, <87> Class VI
  - ADI/TSE Free cert available upon request
- » Each Unicert document lists the order's individual valve Serial/Suffix numbers and wetted component Heat numbers. MTR's for each Heat number follow on attached pages. The Serial numbers and Heat numbers are directly traceable to each individual valve
- » Valve Sizing information with quotation
- » Signed valve Leak Test report upon request

## CERTIFICATION

- » CRN No.: 0C22893.5



## VALVE TYPE BY APPLICATION

- » 2 - Ways 
- » Ported 
- » Tandem Access 
- » Zero Static T-Block 
- » Zero Static POU 
- » Divert Block 
- » Custom Blocks 
- » Tank Bottom 



## GENERAL VALVE SPECIFICATIONS\*

Line Size: 1/4" - 4" (DN8 - DN100)

End Connections: ASME BPE, DIN, ISO, Contact Factory

- » Tri-Clamp
- » Tube Weld End

### Body Materials

- » Forgings: EN 10272:2000 GR 1.4435 316L standard
- » Bar Stock: ASME SA479 316L (UNS 31603) standard; EN 10272:2000 GR 1.4435, AL-6XN®, Hastelloy® C-22 and others readily available options

Diaphragm Material/Max Temperature: all diaphragms are FDA, USP <88> Class VI and <87> compliant and ADI-free

- » TFM/EPDM Backer / -14°F to 266°F (-26°C to 130°C) ≤300°F (150°C) at 50 psig (3,45 barg) max during SIP
- » EPDM Peroxide Cured / -14°F to 266°F (-26°C to 130°C) ≤300°F (150°C) at 50 psig (3,45 barg) max during SIP

Surface Finish: see individual valve specifications

Pressure at Maximum Temperature: 50 psig @ 300°F (3,45 barg @ 150°C)

### Maximum Operating Pressure:

- » 1/4" - 1": 200 psi @ 100°F (13,8 bar @ 38°C)
- » 1-1/2" - 2": 175 psi @ 100°F (12,1 bar @ 38°C)
- » 2-1/2" - 4": 150 psi @ 100°F (10,3 bar @ 38°C)

Seat Leakage: ANSI FCI Class VI

## FLOW COEFFICIENT CV (KV)

CONNECTION SIZE	VALVE DESCRIPTION	FLOW COEFFICIENT CV (KV)
1/4" - 1/2"	Compact valve/weir	1.16 (1,0)
1/2"	Any standard forged, barstock or cast body valve with catalog standard weir	5.2 (4,5)
3/4"		8.7 (7,52)
1"		13.9 (12,02)
1-1/2"		34.8 (30,1)
2"		59.7 (51,6)
3"		185 (160)
4"		272 (235)

## BONNET/ACTUATOR SPECIFICATIONS\*

### Manual Bonnet Assembly:

- » Available for valve sizes: 1/2" - 4" (DN15 - DN100)
- » Closing Stop: Adjustable
- » Bright visual position indicator
- » Options: Contact factory for proximity switches, locking devices and stroke limiter

### Bonnet Materials

- » Bonnet: Electropolished Stainless Steel
- » Compressor: Stainless Steel
- » Insert: Brass
- » Thrust Washer: PTFE
- » Compressor Pin: Stainless Steel
- » Indicator: Polyolefin
- » Bushing: Brass
- » Stem: Stainless Steel
- » Handwheel: PPS (1/4" - 2"); Stainless Steel (2-1/2" - 4")

### Air Actuated Bonnets:

- » Available for sizes: 1/2" - 2" (DN15 - DN50) standard; 3" & 4" (DN80 & DN100) optional
- » Air Actuator Materials: Polyamide, Stainless Steel, Stainless Steel base standard for all configurations
- » Actuator Seal: Actuator springs and seals can be replaced without exposing process
- » Orientation: Swivel feature allows 360° orientation of air inlet
- » Air Connections: NPT Stainless Steel base standard for all configurations
- » Function: Change from Normally Open or Normally Closed by inverting the actuator housing
- » Control System Interface: Available with optional switch packages for on/off control or with positioners for flow control and modulation

\* Most valves meet all of these general features and specifications. However, sizes may vary depending upon product selected. See individual product page for specific details about each model.