

The HN41 Series is a straight-thru design with a Delrin seat, which provides bi-directional flow and the ability to "rod-out" the valve for cleaning.

These valves are specifically targeted for the oil and gas industry and are available only in 316 Stainless Steel per NACE MR-01-75.

Valves are rated at 6000 psig at 100°F (413,7 bar at 38°C).

The HN41 is a roddable valve.

## Features and Benefits

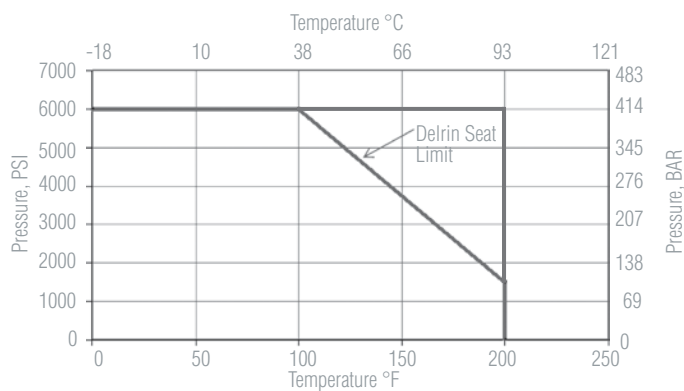
- Roddable design (Refer to HG47 series for information on Hex's roddable design).
- Rising Plug Design for better shut off with a full bore valve.
- Threads in the bonnet are above the packing.
- The HN41 has a larger handle and stem diameter than our competitors to better stand up in those tough applications.



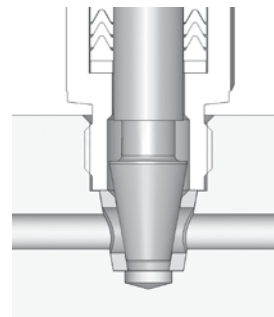
## Flow Schematic

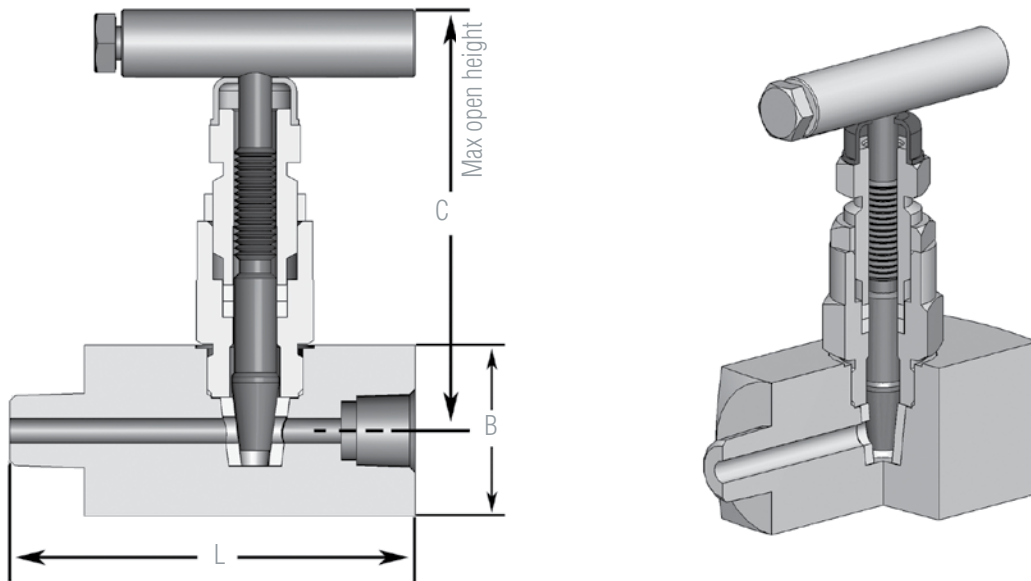


## Pressure and Temperature Chart



## Stem / Tip Configuration



**Dimensions**


Inlet	Outlet	B	L	C	Orifice	Weight Lbs
1/2" NPT (F)	1/2" NPT (F)	2.05	2.99	4.33	0.19	1.06
1/2" NPT (M)	1/2" NPT (F)	1.65	3.50	4.33	0.19	1.10

**Metric**

Inlet	Outlet	B	L	C	Orifice	Weight Kgs
DN15 NPT (F)	DN15 NPT (F)	52	76	110	9.50	0,5
DN15 NPT (M)	DN15 NPT (F)	42	89	110	9.50	0,5

<b>How to Order</b>						
Model Number	Seat Configuration	Body Material	Connections (Bi-Directional)	Stem / Tip	Seat Material	Packing
HN41	2 = Soft Seat	D = 316 SS NACE	2F = 1/4" FNPT x 1/4" FNPT	2 = One Piece	C = Delrin	2 = Teflon
			2FM = 1/4" FNPT x 1/4" MNPT			
			24FM = 1/4" FNPT x 1/2" MNPT			
			4F = 1/2" FNPT x 1/2" FNPT			
			4FM = 1/2" FNPT x 1/2" MNPT			

**Sample Ordering Schematic**

HN41	2	D	2FM	2	C	2
------	---	---	-----	---	---	---