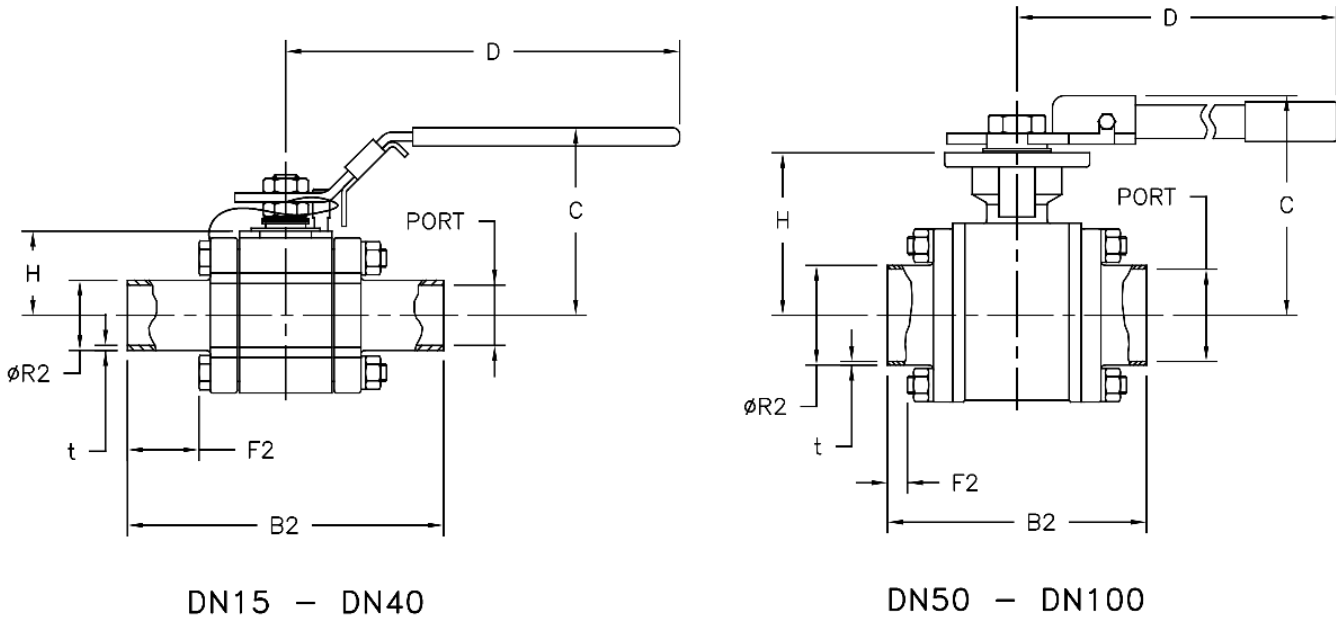


# Mark 9020S ISO Series

## Sanitary Ball Valves

### DIMENSIONS



ART1049-ISO

Mark 9020S ISO Series valve ends match DIN 11866 Part B (ISO 1127) tube. Through bore matches tube inside diameter. Valves conform to ASME BPE guidelines. For Pressure/Temperature ratings, and information regarding Actuator mounting dimensions and stem extensions, see page 9-11 of Bulletin Mark 9020 Series.

Size	DN15 – DN40 MK 9020S (ISO) Dimensions, mm											Weight Kg	Torque N.m
	Port	B2	C	D	F2	H	ØR2	t	Hgth. C' with Ext. Stem	ISO 5211	Stem Flats x Thd		
DN15	18,1	126,0	70	133	36	30,8	21,3	1.6	131	F03	6,5x3/8-24	0,9	4,4
DN20	23,7	137,4	76	133	35	35,3	26,9	1.6	135	F03	6,5x3/8-24	0,9	10,7
DN25	29,7	149,7	85	172	35	39,0	33,7	2.0	139	F04	8 x 7/16-20	1,4	16,7
DN40	44,3	169,2	101	204	34	51,3	48,3	2.0	152	F05	9,7 x M6-1,4	4,0	38

Size	DN50 – DN100 MK 9020S (USO) Dimensions, mm											Weight Kg	Torque N.m
	Port	B2	C	D	F2	H	ØR2	t	Hgth. C' with Ext. Stem	ISO 5211	Stem Flats x Thd		
DN50	56,3	180,6	127	202	33	84,3	60,3	2.0	184	F05/F07	14 x 11/16-10	4,6	74
DN65	72,1	229,2	150	366	29	112,6	76,1	2.0	213	F07/F10	17 x 7/8-14	9,0	90
DN80	84,3	237,2	158	365	31	121,0	88,9	2.3	221	F07/F10	17 x 7/8-14	12,2	110
DN100	109,7	265,9	201	401	25	159,7	114,3	2.3	294	F10/F12	22 x 1-1/8-12	21,8	150



**Steriflow by Jordan Valve**

3170 Wason Road • Cincinnati, OH 45209  
 513.533.5600 • 800.543.7311 • 513.871.0105 (f)  
 steriflow@richardsind.com • www.steriflowvalve.com

ORDERING SCHEMATIC

Model	Size	Body Mat'l	1	2	3	4	5	6	7	8	9	10	11	12	13	14	15	16

Model Number	
9020S	DN20, DN25, DN40, DN65, DN80 3-Pc Sanitary Ball Valve (ISO)
9020S1	DN15, DN50, DN100 3-Pc Sanitary Ball Valve (ISO)

Size (DN 11866 Part B)	
15	DN15
20	DN20
25	DN25
40	DN40
50	DN50
65	DN65
80	DN80
100	DN100

Body Material	
LF	CF3M 316L 1% Ferrite
LFCE	Cf3M 316L 1% Ferrite + PED/CE (DN40 - DN100 Only)

Seat/Stem Extension	
T	TFM1600 Enhanced Teflon (Std.)
C	TFM1600 Cavity Filler Enhanced Teflon <sup>2</sup>
E	TFM1600 with Enclosed Stem Extension <sup>1</sup>
S	TFM1600 Cavity Filler with Stem Extension <sup>1,2</sup>

<sup>1</sup> Stem extension not available in DN100 size

<sup>2</sup> Consult factory

Ends	
A	Tri-Clamp / SF1 Int. Fin. (Std.) <sup>2</sup>
B	Extended Tube End / SF1 Int. Fin. (Std.)
C	Tri-Clamp x Extended Tube End / SF1 Int. Fin. <sup>1,2</sup>
D	Tri-Clamp / SF4 Int. Fin. <sup>2</sup>
E	Extended Tube End / SF4 Int. Fin.
F	Tri-Clamp x Extended Tube End / SF4 Int. Fin. <sup>1,2</sup>
G	Extended Tube x Tri-Clamp / SF4 Int. Fin. <sup>1,2</sup>
H	Extended Tube x Tri-Camp / SF1 Int. Fin. <sup>1,2</sup>

Note: SF1 finish is 20 Ra µin (0.5 Ra µm) Mechanical Polish, SF4 is 15Ra µin (0.4 Ra µm) mechanical/electropolish finish

<sup>1</sup> See page 5 of the MK9020 (BPE) bulletin for orientation of ends

<sup>2</sup> Consult Factory

3 & 4 Operation			
HL	Lever (Std.)		
NN	None		
P1	UT-0A-DA STD		
P2	UT-0-DA STD	S1	UT-0-SR STD
P3	UT-1-DA-STD	S2	UT-1-SR STD
P4	UT-2-DA STD	S3	UT-2-SR STD
P5	UT-2.5-DA STD	S4	UT-2.5-SR STD
P6	UT-3-DA-STD	S5	UT-3-SR STD
P7	UT-3.5-DA STD	S6	UT-3.5-SR STD
P8	UT-4-DA STD	S7	UT-4-SR STD
PF	UT-4.5-DA STD	SF	UT-4.5-SR STD
P9	UT-5-DA STD	S8	UT-5-SR STD
ZZ	Non-Standard		

5 & 6 Actuator Pressure	
40	40 psi
60	60 psi
80	80 psi
NN	N/A (no pneumatic actuator)
ZZ	Non-Standard

7 & 8 Solenoid Feature			Act. Type
00	None		
3A	3W 8551-120VAC N4 UT-0/5		SR
3C	3W EF8551-120VAC N7 UT-0/5		SR
3J	3W 8317G35-120VAC N4 UT-0/2.5		SR
3M	3W 8321G1-120VAC N4 UT-3/5		SR
3Q	3W EF8317G35-120VAC N7 UT-0/2.5		SR
3R	3W EF8321G1-120VAC N7 UT-3/5		SR
4A	4W 8551-120VAC N4 UT-0A		DA
4B	4W 8551-120VAC N4 UT-0/5		DA
4D	4W EF8551-120VAC N7 UT-0A		DA
4E	4W EF8551-120VAC N7 UT0/5		DA
ZZ	Non-Standard		

Model	Size	Body Mat'l	1	2	3	4	5	6	7	8	9	10	11	12	13	14	15	16

9 & 10	Limit Switch
00	None
AA	LS FMYB-5120-N4 to UT-0/3
AB	LS FMYB-5120-N4 to UT-3.5/7
AC	LS AMYB-5120-N7 to UT-0/3
AD	LS AMYB-5120-N7 to UT-3.5/7
AE	LS-AMYB-5120-N4 to Valve
AF	LS AMYB-5120-N7 to Valve
0Z	Non-Standard

11 & 12	Fail Position
NN	Fail Position N/A (No "SR" Actuator)
01	Fail Closed
02	Fail Open

13 & 14	Positioner
00	None
AA	Siemens 760P (3-15 psi), for UT-0/3
AB	Siemens 760P (3-15 psi), for UT-3.5/7
AC	Siemens 760E (4-20 mA), for UT-0/3
AD	Siemens 760E (4-20 mA), for UT-3.5/7
AE	Siemens 2-IQ (4-20 mA) for UT-0/3DA
AF	Siemens 2-IQ (4-20 mA) for UT-3.5/7DA
AQ	Siemens 2-IQ (4-20 mA), for UT-0/3SR
AR	Siemens 2-IQ (4-20 mA), for UT-3.5/7SR
ZZ	Non-Standard

15	Misc. Features
0	None
1	2-Bug Screen 1/8" SST
2	2-Speed Control 1/8" (4-Way)
3	SST Tube & Fittings F/Automation
4	AFR 4Z030A to UT-0-2.5 SST
Z	Non-Standard

16	SEP Option
0	None
G	SEP w/SF1 Finish DN15-DN25 Only
H	SEP w/SF4 Finish DN15-DN25 Only



**Steriflow, a division of Jordan Valve**  
 3170 Wasson Road • Cincinnati, OH 45209  
 513.533.5600 • 800.543.7311 • 513.871.0105 (f)  
[steriflow@richardsind.com](mailto:steriflow@richardsind.com) • [www.steriflowvalve.com](http://www.steriflowvalve.com)

*Steriflow Valve reserves the right to make revisions to its product, specifications, literature and related information without notice. Please visit our website at [www.steriflowvalve.com](http://www.steriflowvalve.com) for the latest information on our products.*