

Float & Thermostatic Steam Traps

Model: FTH-10

FLOAT & THERMOSTATIC STEAM TRAPS

Bestobell Steam's FTH-10 Series float and thermostatic steam traps are designed to freely remove large quantities of condensate from systems where dirt and oil are not excessive. They can be found on: receivers, separators, intercoolers, reservoirs, and drip legs.

How It Works:

When steam is turned on, the float is resting in its lowest position with the valve closed. Condensate entering the trap does not begin to lift the float until the valve seat is covered. After this level is reached, any further addition of condensate will raise the float, the higher the level the greater the valve opening. Bestobell's FTH-10 Series steam traps are designed to modulate the flow of condensate with the rise and fall of the float as changes in condensate level occur within the trap cover. All working parts of the trap are attached to the body casting for easy repair access. Designed for inline servicing, the unit may be inspected and parts replaced without breaking any pipe connections.

- Straight through body design which eliminates staggered piping usually associated with this type of seat trap
- All parts are in-line replaceable and repairable
- Steam cannot reach condensate discharge valve with normal, clean operation



ORDERING SCHEMATIC

| MODEL | 6 | 7 | 8 |
|--------|---|---|---|
| FTH-10 | | | |

| 6 | SIZE |
|---|--------|
| 2 | 1/2" |
| 3 | 3/4" |
| 4 | 1" |
| 6 | 1-1/2" |
| 7 | 2" |

| 7 | CONNECTION |
|---|------------|
| 1 | NPT |

| 8 | MAX DIFFERENTIAL PRESSURE |
|-----|---------------------------|
| 65 | 65 psi |
| 145 | 145 psi |
| 200 | 200 psi |



A Division of
Richards Industries
3170 Wasson Road
Cincinnati, OH 45209

toll free. 800.543.7311
local. 513.533.5600
fax. 513.871.0105

steam@richardsind.com
www.bestobellsteamtraps.com

SINGLE INLET / SINGLE OUTLET F & T TRAPS
SPECIFICATIONS

Maximum Differential Pressure: 65/145/200 psi (5/10/14 bar)

Maximum Operating Temperature: 400°F (204°C)

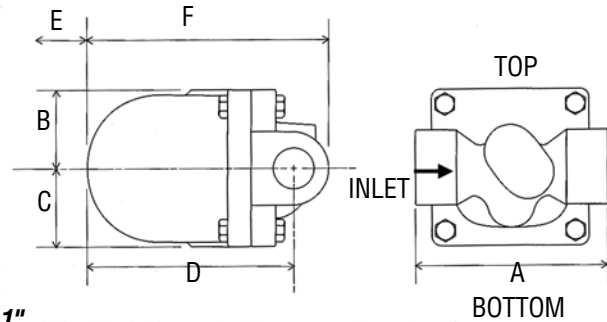
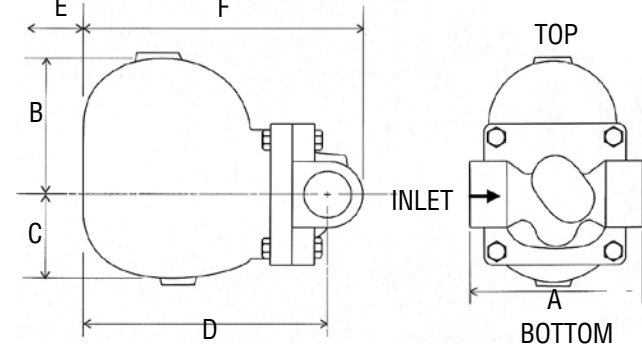
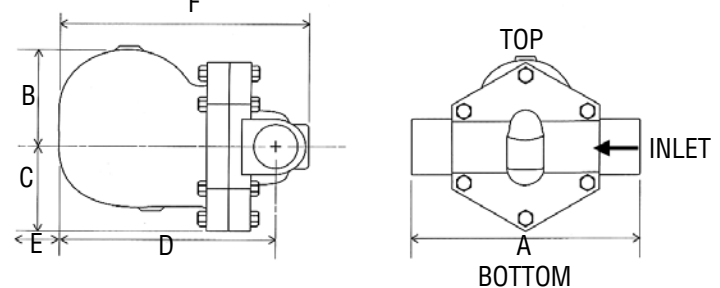
Maximum Allowable Pressure: 250 psig (17 bar)

Maximum Allowable Temperature: 400°F (204°C)

MATERIALS

Body & Cover: Cast Iron, ASTM A48 Class 30

Internals: 304 SST

DIMENSIONS
1/2" & 3/4"

1"

1-1/2" & 2"


| Dimensions | | | | | | | |
|------------|-------|------|------|-------|------|-------|---------|
| 1/2" | A | B | C | D | E | F | Wt |
| inches | 5.06 | 213 | 2.13 | 5.69 | 4.94 | 6.69 | 10.5 lb |
| mm | 128 | 54 | 54 | 145 | 110 | 170 | 4,8 kg |
| 3/4" | A | B | C | D | E | F | Wt |
| inches | 5.06 | 2.13 | 2.13 | 5.69 | 4.94 | 6.69 | 10.5 lb |
| mm | 128 | 54 | 54 | 145 | 110 | 170 | 4,8 kg |
| 1" | A | B | C | D | E | F | Wt |
| inches | 5.06 | 4.94 | 2.94 | 7.50 | 6.94 | 8.50 | 18.7 lb |
| mm | 128 | 110 | 75 | 190 | 110 | 216 | 8,5 kg |
| 1-1/2" | A | B | C | D | E | F | Wt |
| inches | 11.13 | 5.00 | 4.94 | 10.00 | 7.88 | 11.38 | 49.5 lb |
| mm | 282 | 127 | 110 | 254 | 200 | 289 | 22,5 kg |
| 2" | A | B | C | D | E | F | Wt |
| inches | 12.13 | 5.50 | 5.00 | 10.25 | 7.88 | 11.81 | 61.6 lb |
| mm | 308 | 140 | 127 | 260 | 200 | 300 | 28,0 kg |

CAPACITY CHARTS: LBS. CONDENSATE PER HOUR

| Size | Orifice Diameter | MDP* | | Differential Pressure - PSI | | | | | | | | | | | | | | |
|--------|------------------|------|------|-----------------------------|-------|-------|-------|-------|-------|-------|-------|-------|-------|-------|-------|-------|-------|--|
| | | PSIG | 1 | 5 | 10 | 15 | 20 | 30 | 40 | 50 | 65 | 80 | 100 | 125 | 145 | 180 | 200 | |
| 1/2" | 0.14" | 65 | 250 | 400 | 520 | 600 | 700 | 830 | 950 | 1000 | 1150 | | | | | | | |
| | 0.09" | 145 | 135 | 210 | 280 | 330 | 380 | 420 | 480 | 520 | 580 | 630 | 700 | 750 | 800 | | | |
| | 0.08" | 200 | 85 | 150 | 195 | 240 | 280 | 310 | 355 | 390 | 430 | 480 | 515 | 545 | 600 | 660 | 700 | |
| 3/4" | 0.14" | 65 | 250 | 400 | 520 | 600 | 700 | 830 | 950 | 1000 | 1150 | | | | | | | |
| | 0.09" | 145 | 135 | 210 | 280 | 330 | 380 | 420 | 480 | 520 | 580 | 630 | 700 | 750 | 800 | | | |
| | 0.08" | 200 | 85 | 150 | 195 | 240 | 280 | 310 | 355 | 390 | 430 | 480 | 515 | 545 | 600 | 660 | 700 | |
| 1" | 0.26" | 65 | 900 | 1550 | 2100 | 2500 | 3000 | 3650 | 4000 | 4500 | 5100 | | | | | | | |
| | 0.20" | 145 | 385 | 660 | 910 | 1100 | 1300 | 1500 | 1750 | 1850 | 2050 | 2250 | 2700 | 2900 | 3100 | | | |
| | 0.18" | 200 | 270 | 470 | 640 | 750 | 910 | 1100 | 1300 | 1400 | 1600 | 1750 | 1850 | 2100 | 2200 | 2600 | 2750 | |
| 1-1/2" | 0.76" | 65 | 2300 | 4200 | 6000 | 7500 | 8800 | 10500 | 12500 | 13500 | 15000 | | | | | | | |
| | 0.61" | 145 | 1500 | 2800 | 3900 | 4800 | 5600 | 7000 | 8000 | 9000 | 10000 | 11500 | 13000 | 14200 | 15000 | | | |
| | 0.54" | 200 | 1100 | 1800 | 2600 | 3200 | 3600 | 4200 | 5000 | 5450 | 6000 | 6900 | 7800 | 8600 | 9000 | 9650 | 10000 | |
| 2" | 1.11" | 65 | 7400 | 13500 | 19800 | 24000 | 28000 | 34000 | 40000 | 45000 | 50500 | | | | | | | |
| | 0.84" | 145 | 3900 | 7300 | 10000 | 12300 | 14500 | 17500 | 20000 | 22500 | 26000 | 29000 | 32000 | 35000 | 40000 | | | |
| | 0.71" | 200 | 1850 | 3500 | 5000 | 5900 | 6800 | 8400 | 9600 | 10500 | 12000 | 13500 | 15000 | 16500 | 17500 | 19000 | 20000 | |

* MDP = Maximum Differential Pressure