

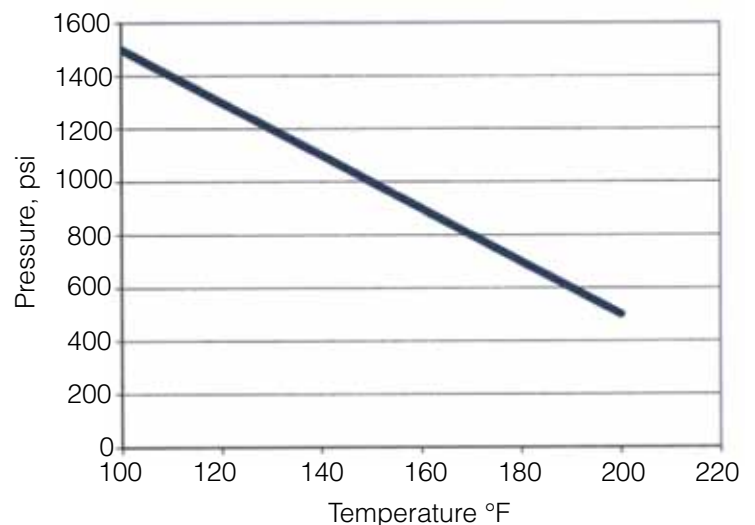
The HM72

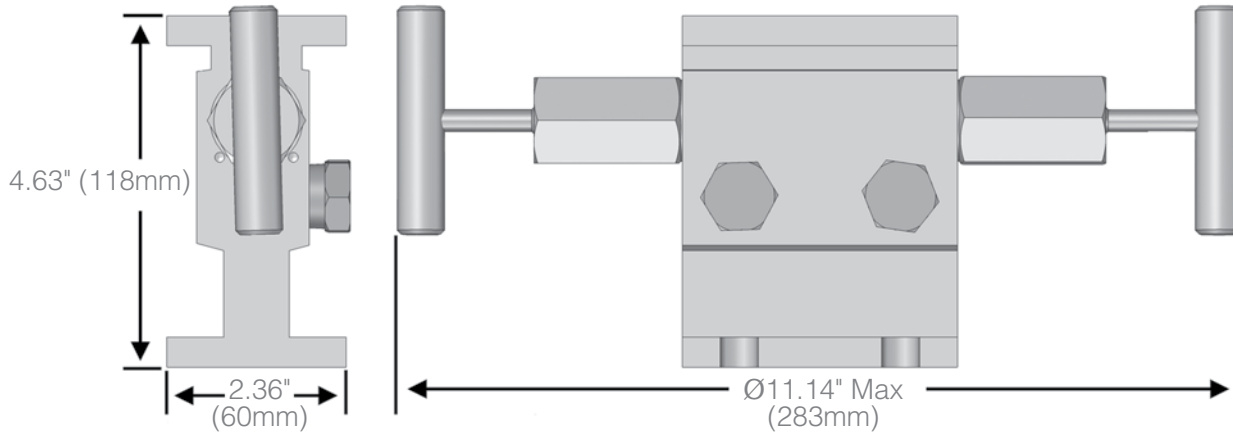
Materials of Construction

- SS body: A182 F316
- SS body wetted trim and bonnet: ASTM A479 316 SST
- CS bonnet: A108, G10180
- CS body: ASTM A105, all clear zinc plate
- CS body wetted trim: ASTM A479 316 SST
- Soft valve seat for isolation valve: Carbon filled Teflon
- Hard valve seat for isolation valve: integral to body
- Valve stem O-ring options:
 - O-ring option "5": Buna-N
 - O-ring option "6": Viton
- Valve stem packing options:
 - Packing option "2": Teflon Chevron
 - Packing option "3": Graphite (hard seat only)
- Transmitter mounting flange bolts: ASTM A354 CS, Gr. B7, Zinc Plated
- Transmitter mounting flange bolt washers: 304 SST
*we provide zinc plated steel with CS
- Outlet flange gasket material selected by Teflon packing: Virgin Teflon
- Outlet flange gasket material selected by Graphite packing: Graphite

Flow Schematics

Pressure / Temperature Chart



Dimensions


How to Order									
Model Number	Valve Seat	Body Material	Inlet Size	Inlet Type	Outlet Size	Outlet Type	Stem / Tip	Seat Material	Packing
HM72	G= O-ring bonnet/soft seat	S= Carbon Steel (A105)	9= Instrument Flange	9= Instrument Flange	9= Instrument Flange	9= Instrument Flange	2= 316 Stem	6= Teflon	5= Buna-N O-Ring
		U= Stainless Steel 316							6= Viton O-Ring

Sample Ordering Schematic

HM72	G	U	9	9	9	9	2	6	5
------	---	---	---	---	---	---	---	---	---