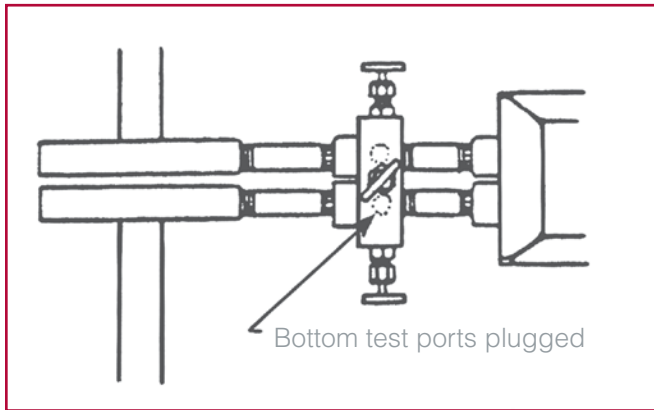


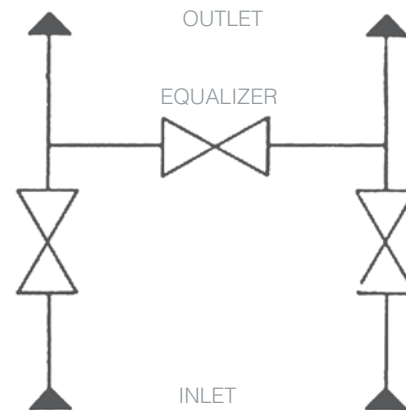
The HM88 Series three valve direct mount manifold is designed for close-coupled mounting of a differential pressure transmitter to an orifice flange. The rugged body of this heavy-duty manifold has two sets of outlets allowing versatility in mounting and convenient access for transmitter calibration.



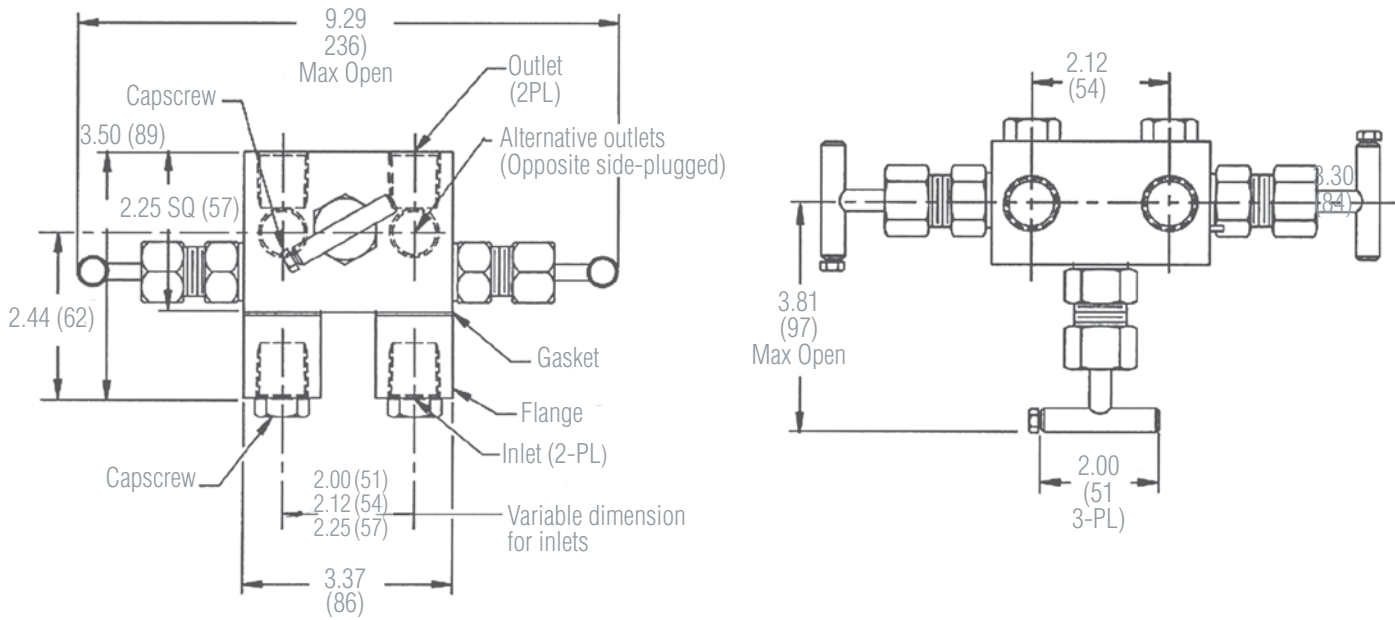
Features and Benefits

- **Flexibility in mounting:** An extra set of plugged outlet ports allows the transmitter to be mounted opposite (in-line with) the inlet flange flanges, or 90° below the manifold as space dictates
- **Test ports:** The additional outlets are easily accessible for use as test ports. Transmitter calibration can be further simplified with the addition of need valves
- **Non-rotating tip (NRT) stem:** Provides tight, repeatable shutoff without the galling or cross-scoring that occurs on ball type stems. Because the NRT conical stem tip stops rotating when it contacts the seat, further torque turns the stem, but not the tip, protecting the stem tip from damage
- **Fully packed bonnets:** With four rings of Teflon-Chevron packing for greater protection against fugitive emissions. Braided or Graphite packing available for higher temperature service
- **Fully backseated bonnets:** Prevent accidental stem removal and blowout. Unique design minimizes emissions while offering access to the packing

Flow Schematic



Dimensions



Orifice Size: 0.19" (shutoff); 0.16" (equalizer)
Weight: 7.5 lbs (3,4 kgs)

How to Order								
Model Number	Seat/ Body Configuration	Body Material	Inlet Size	Inlet Type	Outlet Size/Type	Stem/Tip	Seat Material	Packing
HM88	1 = Hard (6000 psi)	S = CS	3 = 1/2"	3 = FNPT	31 = 1/2" FNPT	2 = 316SS Needle/Plug (soft seat only)	1 = Integral (hard)	2 = TFE-Chevron
	2 = Soft (3000 psi)	U = SS					4 = PPS	3 = Graphite
							5 = KEL-F	
							6 = TFE	
							9 = PEEK	

Sample Ordering Schematic

HM88	1	S	3	3	31	4	1	2
------	---	---	---	---	----	---	---	---