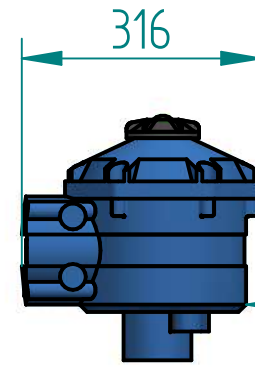
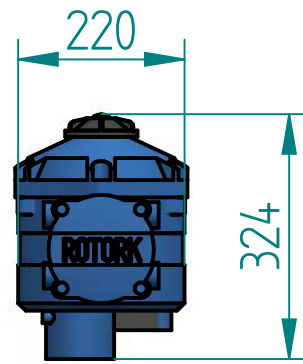
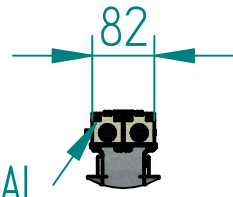
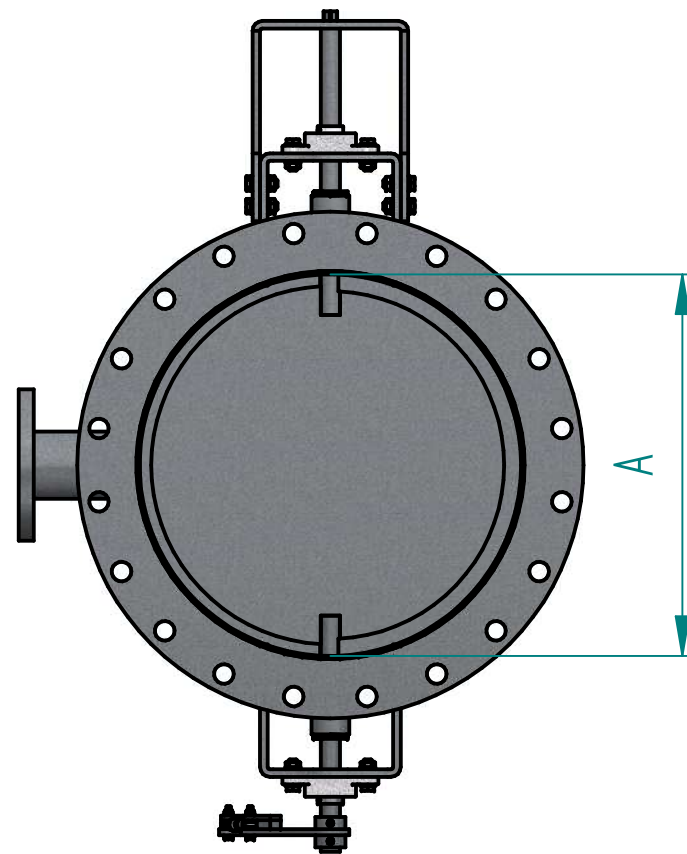
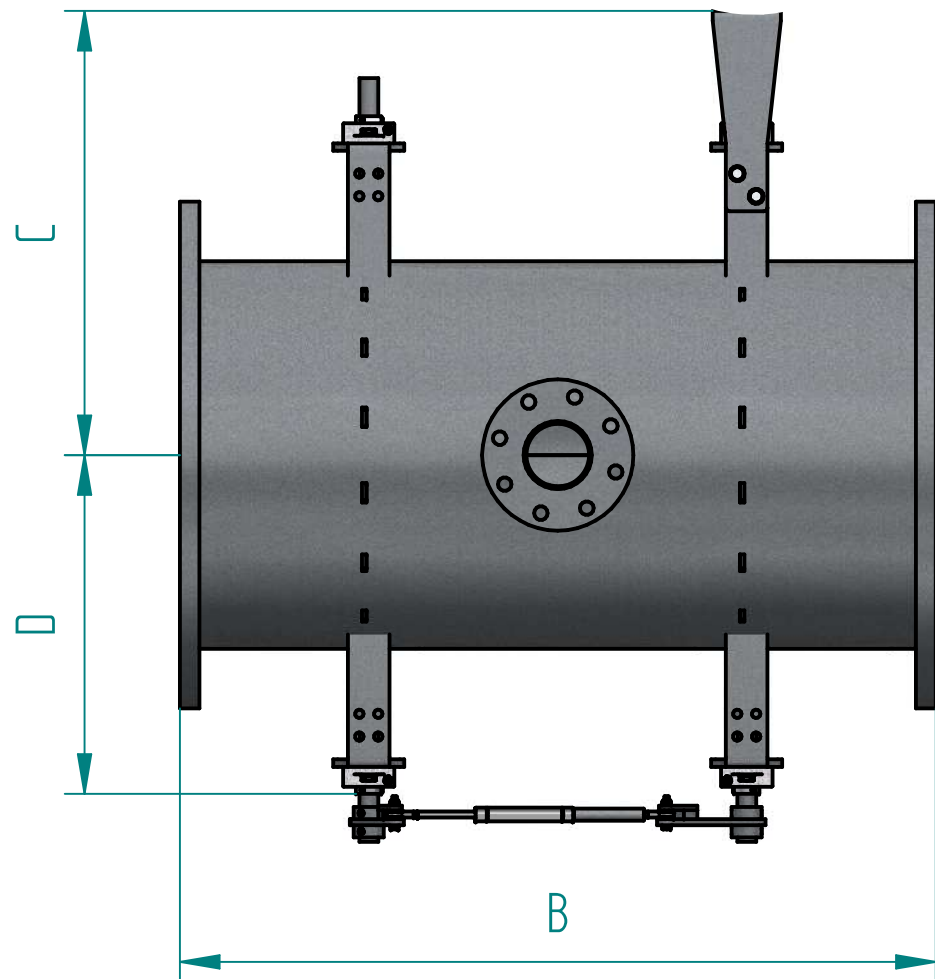


LIMIT SWITCHES OPTIONAL



ACTUATOR OPTIONAL



MAAT TABEL SERIE 40				
	A	B	C	D
NW200	213	440	269	238
NW250	267	540	411	272
NW300	319	640	491	352
NW350	350	700	509	369
NW400	400	800	537	398
NW450	453	900	563	424
NW500	509	1000	590	451
NW600	600	1200	642	503
NW700	710	1400	694	555
NW800	800	1600	746	607
NW900	900	1800	796	657
NW1000	1000	2000	847	708

TOL. ACC. TO NEN 2365 COPYRIGHTS RESERVED

TITEL: SERIE 40	
MATERIAL:	DATE: 28-6-2016
WEIGHT: 0,000 kg	DRAWN: Hoogenboom
NUMBER:	REV:

