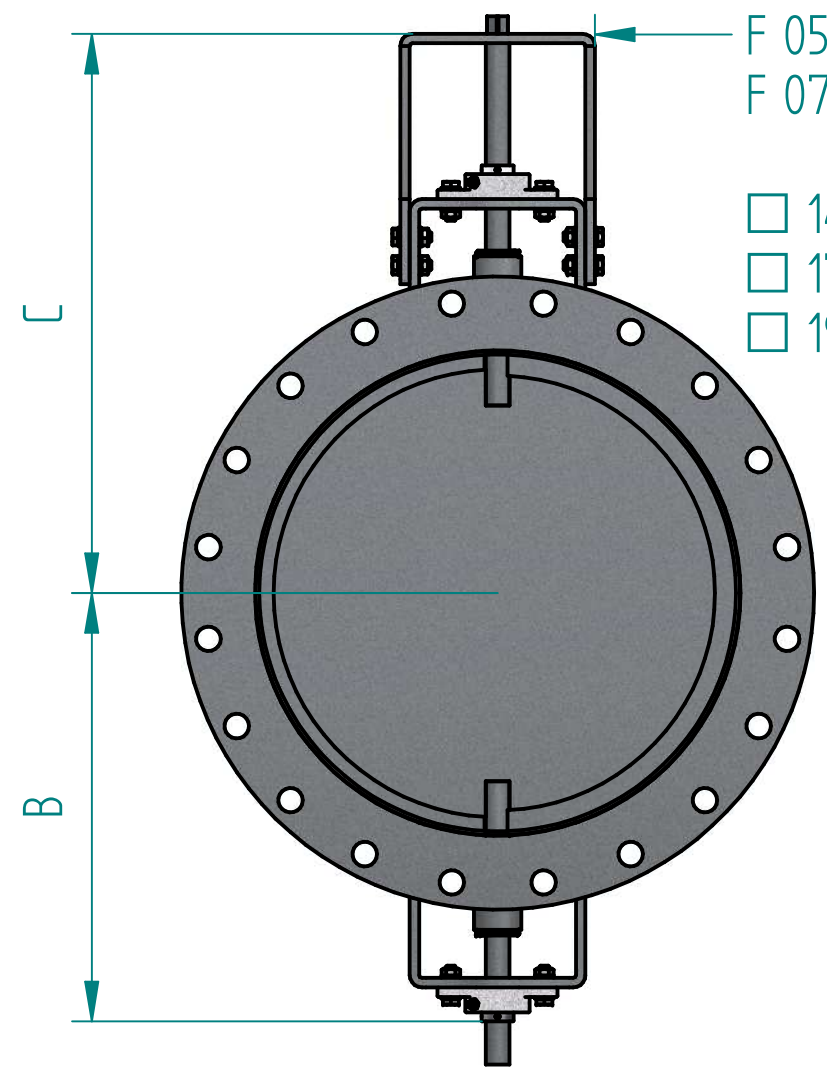
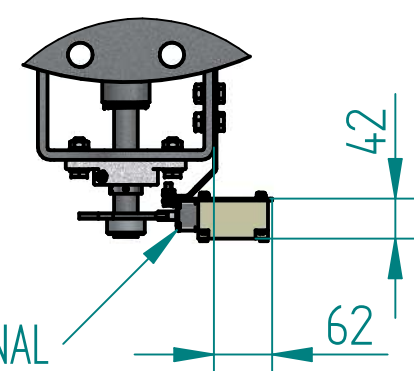
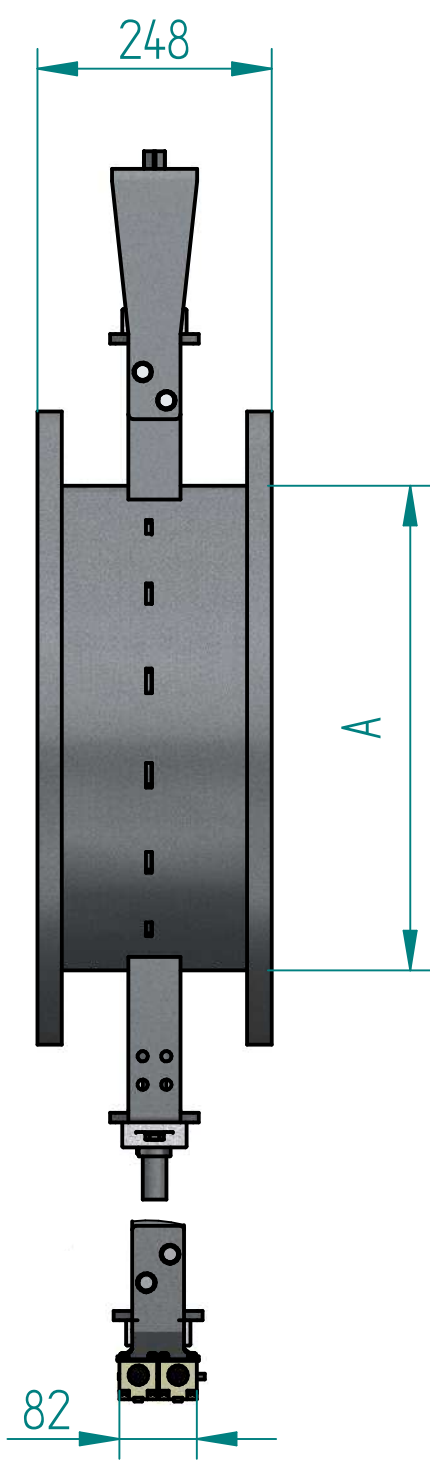


ACTUATOR OPTIONAL



F 05-07  
F 07-10

- 14-45°
- 17-45°
- 19-45°



LIMIT SWITCHES OPTIONAL

*Other dimensions on request*

MAAT TABEL SERIE 31			
	A	B	C
NW200	213	238	269
NW250	267	272	411
NW300	319	352	491
NW350	350	369	509
NW400	400	398	537
NW450	453	424	563
NW500	509	451	590
NW600	600	503	642
NW700	710	555	694
NW800	800	607	746
NW900	900	657	796
NW1000	1000	708	847

TOL. ACC. TO NEN 2365 COPYRIGHTS RESERVED

TITEL: SERIE 31	
MATERIAL:	DATE: 19-5-2016
WEIGHT: 0,000 kg	DRAWN: Hoogenboom
NUMBER:	REV:

